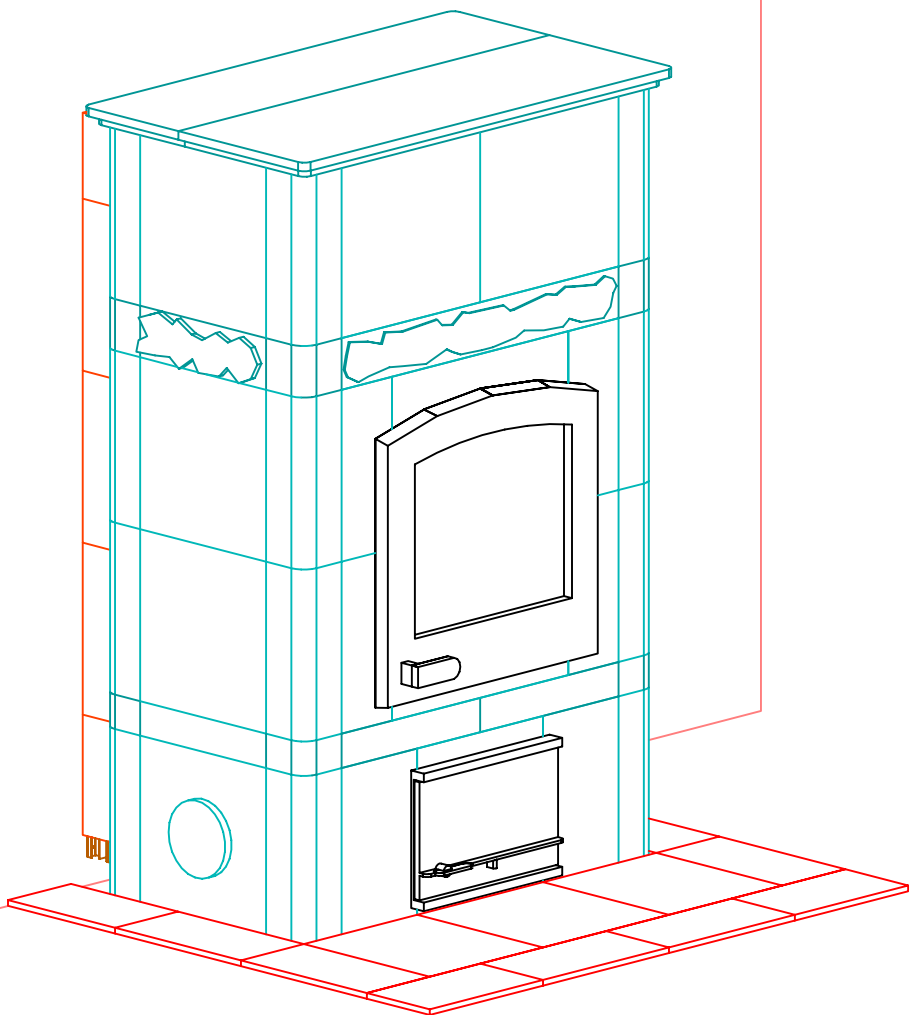


# INFORMATION ONLY



NOTE: Hearth Tiles CUT AND INSTALLED by others



MID-ATLANTIC MASONRY HEAT  
1229 Harris Street Suite 1  
Charlottesville, VA 22903  
(434)979-9709 Fax 434-979-6416

PROJECT KOWALEWSKI  
MODEL TU1000/6RFB

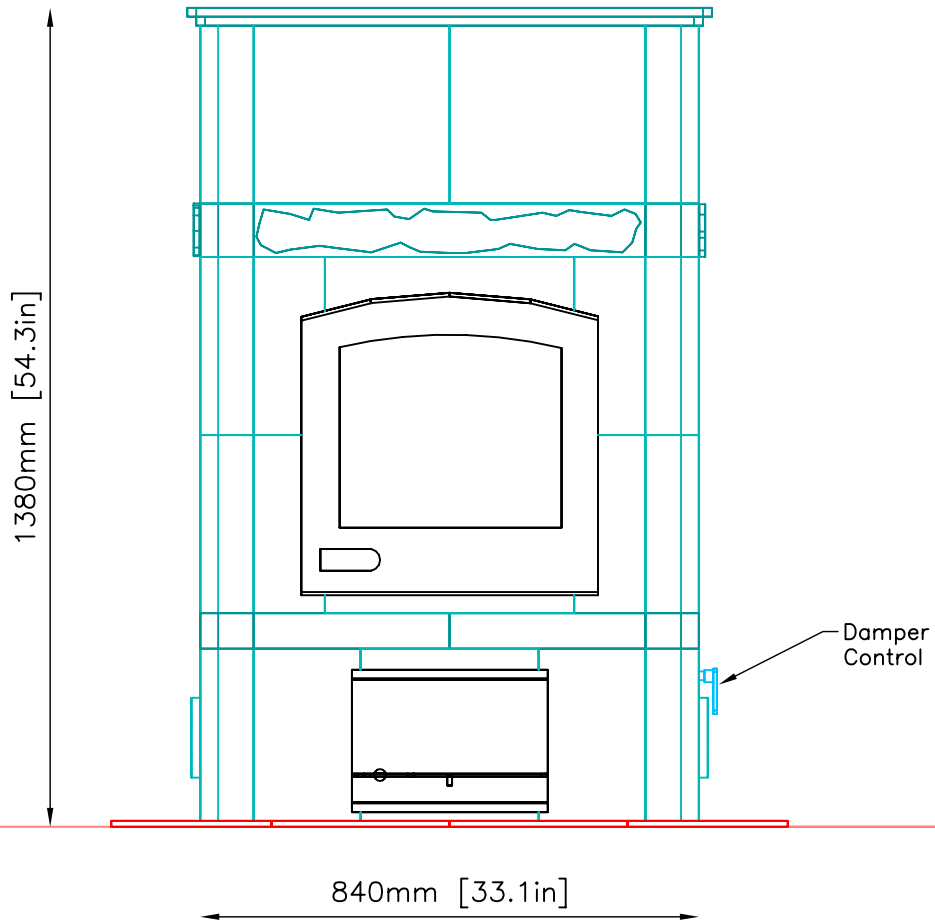
CONTRACT 5622  
DRAWN BY G. DIFIORE

VIEW PERSPECTIVE  
DATE 2/9/04

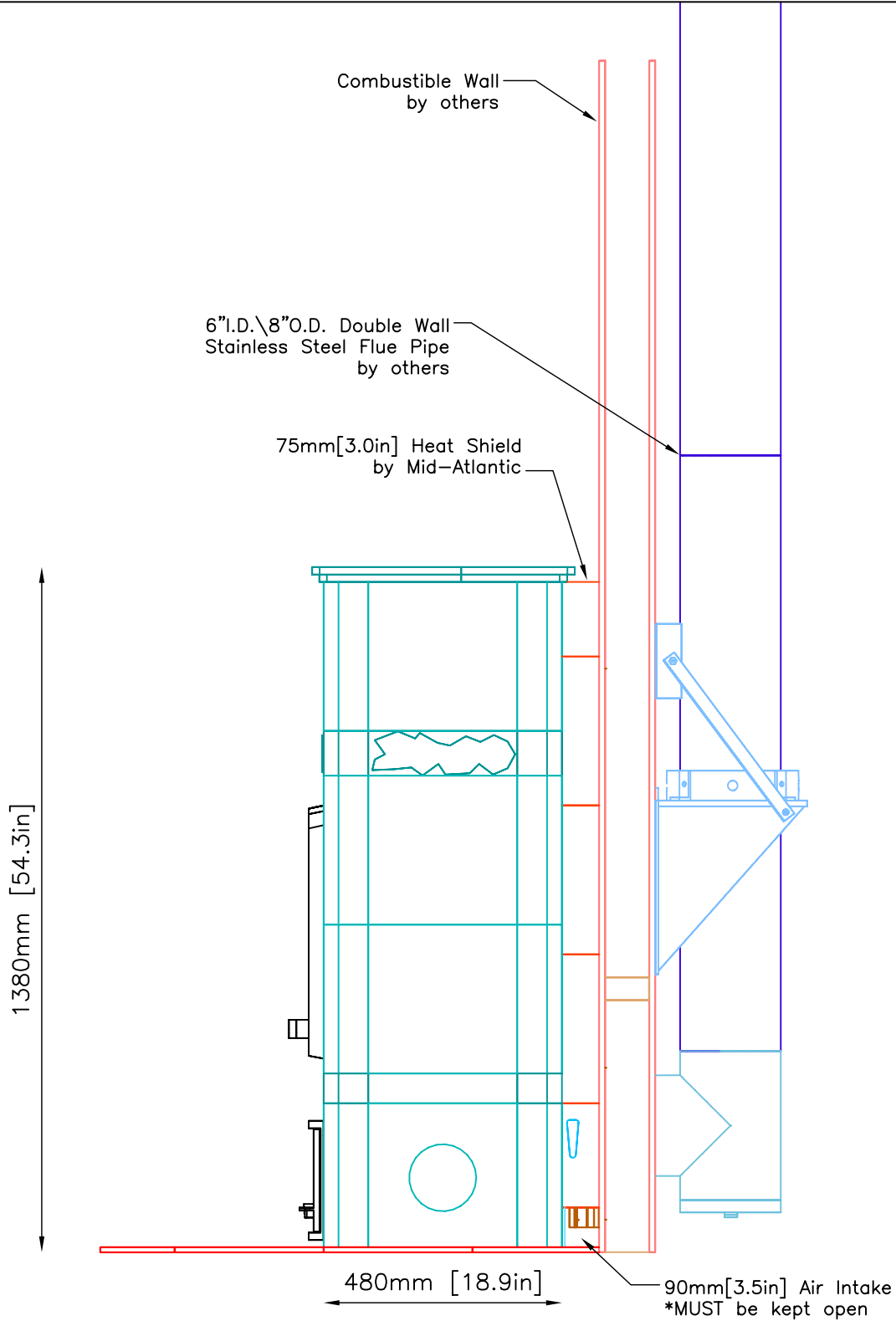
PAGE 1

FRONT VIEW

**INFORMATION ONLY**



SIDE VIEW



**INFORMATION ONLY**

6" I.D./8" O.D. Double Wall Stainless Steel Flue Tee by others  
SEE PAGE 7 FOR FLUE DETAILS

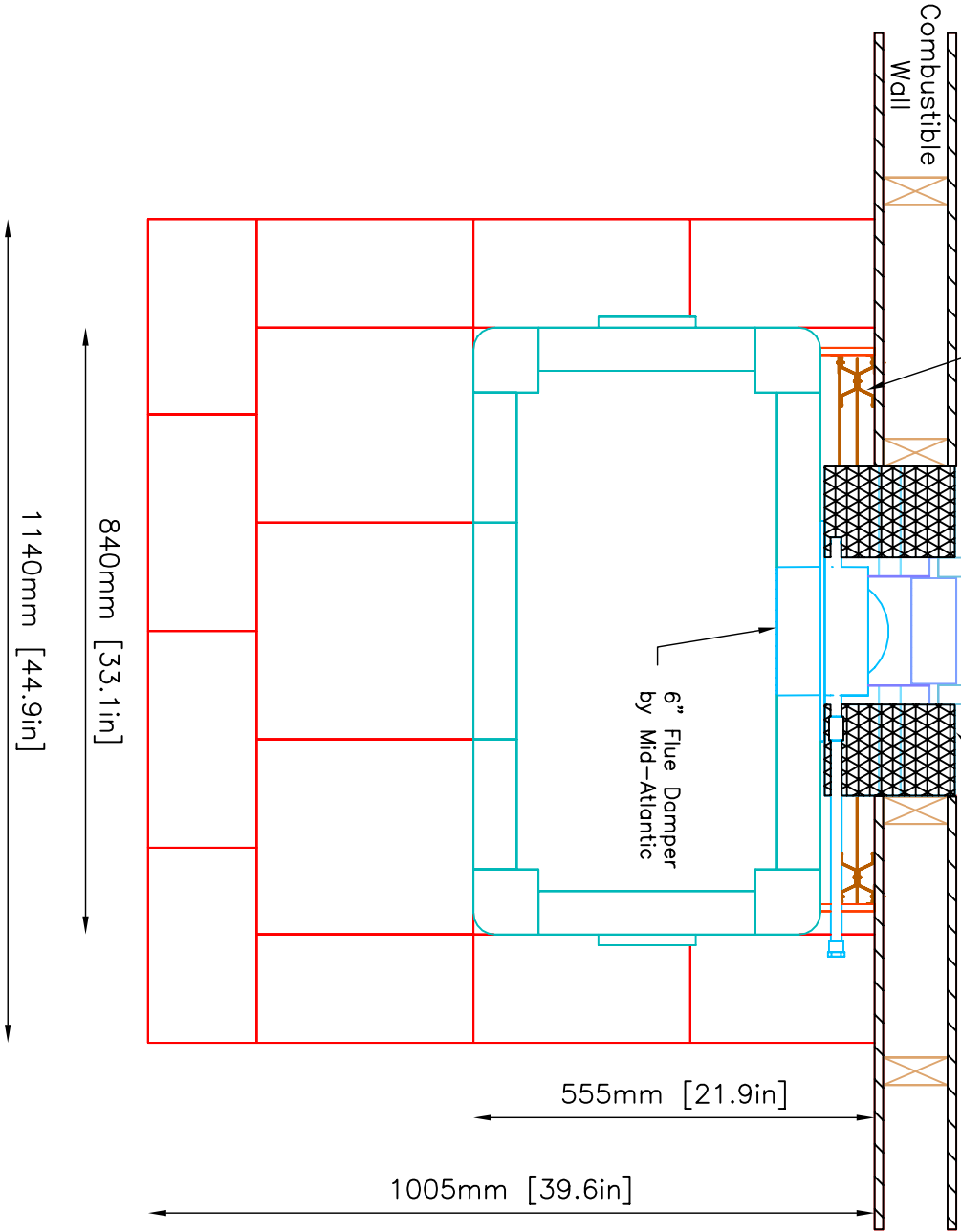
75mm [3.0in] Heat Shield by Mid-Atlantic.

Foamglas Insulation by Mid-Atlantic

6" Flue Damper by Mid-Atlantic

Combustible Wall

Flue Location may be offset up to 4 inches right or left from center of fireplace. If greater offset is needed, contact Mid-Atlantic for revised drawings and installation pricing.

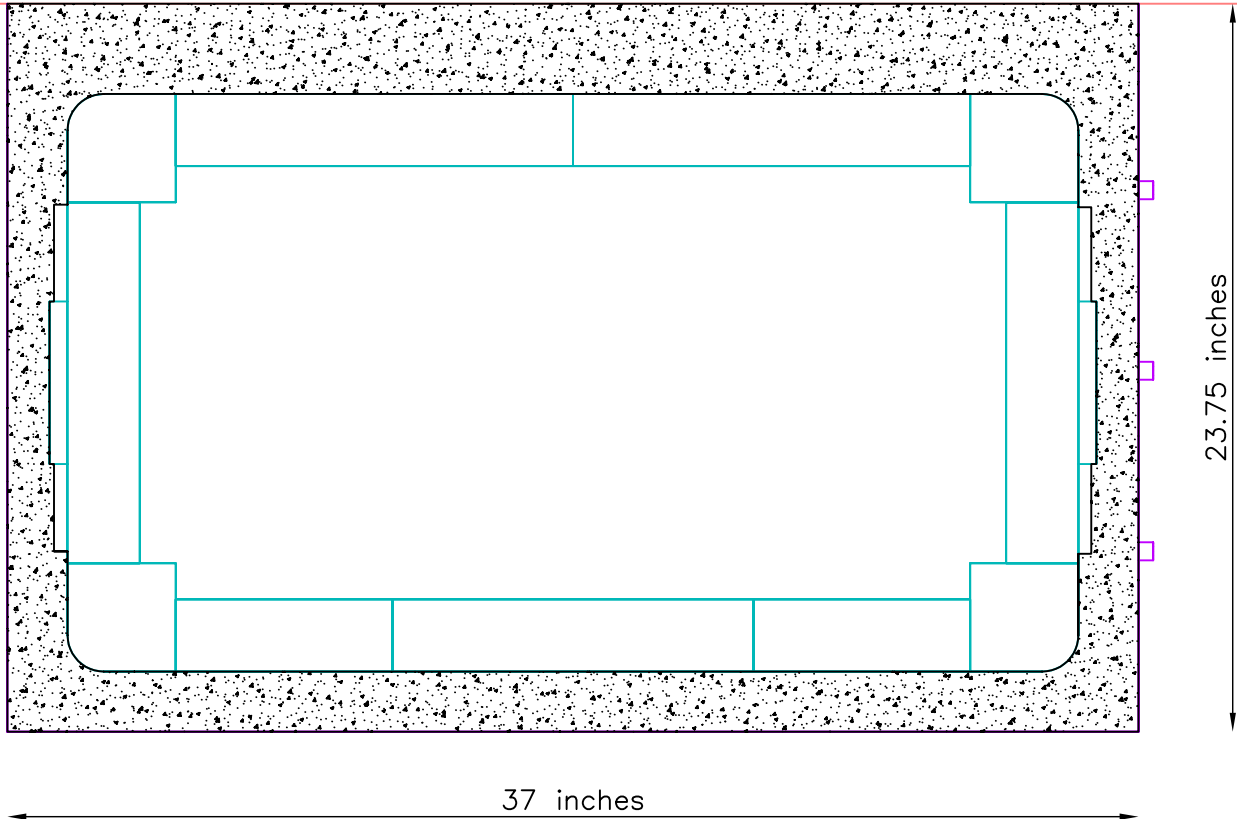


**INFORMATION ONLY**

NOTE: Hearth Tiles CUT AND INSTALLED by others

FOUNDATION SLAB

Minimum 4" Thick Poured Concrete With Rebar 6"O.C.  
 Minimum Dimensions--2" from Base of Unit



**INFORMATION ONLY**

NOTE:  
 TOP OF FOUNDATION SLAB TO BE LEVEL AND FLUSH WITH SUB-FLOOR  
 Tolerances: +/- 1/8" No additional cost to level slab  
 +/- 1/4" \$150.00-\$200.00 additional cost to level slab  
 +/- 1/2" \$500.00 additional cost to level slab

UNIT WEIGHT: 2,500 lbs.

Owner/Contractor is responsible for engineering Foundation Slab to support weight of fireplace.



MID-ATLANTIC MASONRY HEAT  
 1229 Harris Street Suite 1  
 Charlottesville, VA 22903  
 (434)979-9709 Fax 434-979-6416

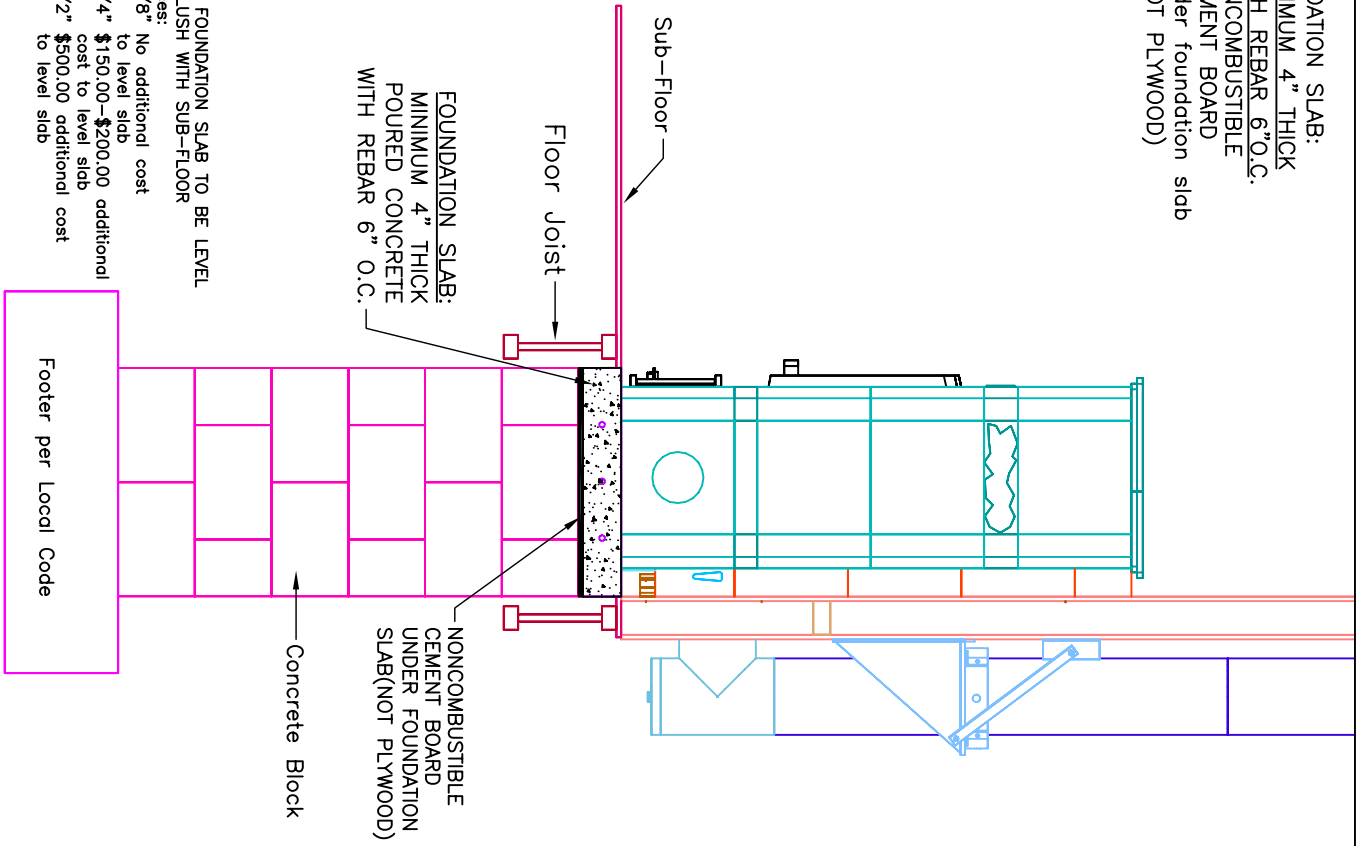
PROJECT KOWALEWSKI  
 MODEL TU1000/6RFB

CONTRACT 5622  
 DRAWN BY G. DIFIORE

VIEW SUPPORT  
 DATE 2/9/04

PAGE 5

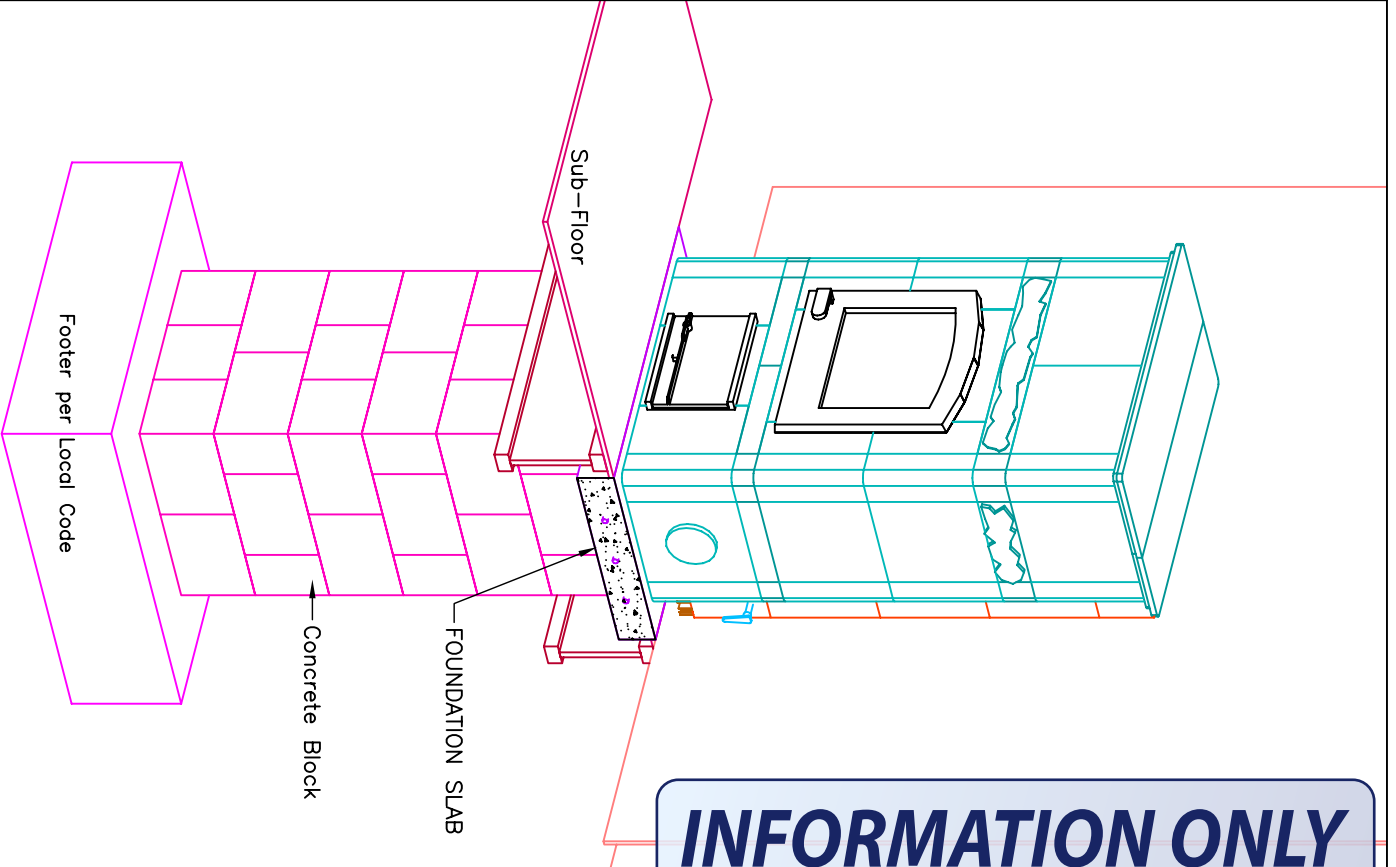
FOUNDATION SLAB:  
 \* MINIMUM 4" THICK  
 WITH REBAR 6" O.C.  
 \* NONCOMBUSTIBLE  
 CEMENT BOARD  
 under foundation slab  
 (NOT PLYWOOD)



NOTE:  
 TOP OF FOUNDATION SLAB TO BE LEVEL  
 AND FLUSH WITH SUB-FLOOR  
 Tolerances:  
 +/- 1/8" No additional cost  
 +/- 1/4" \$150.00-\$200.00 additional  
 cost to level slab  
 +/- 1/2" \$500.00 additional cost  
 to level slab

Footer per Local Code

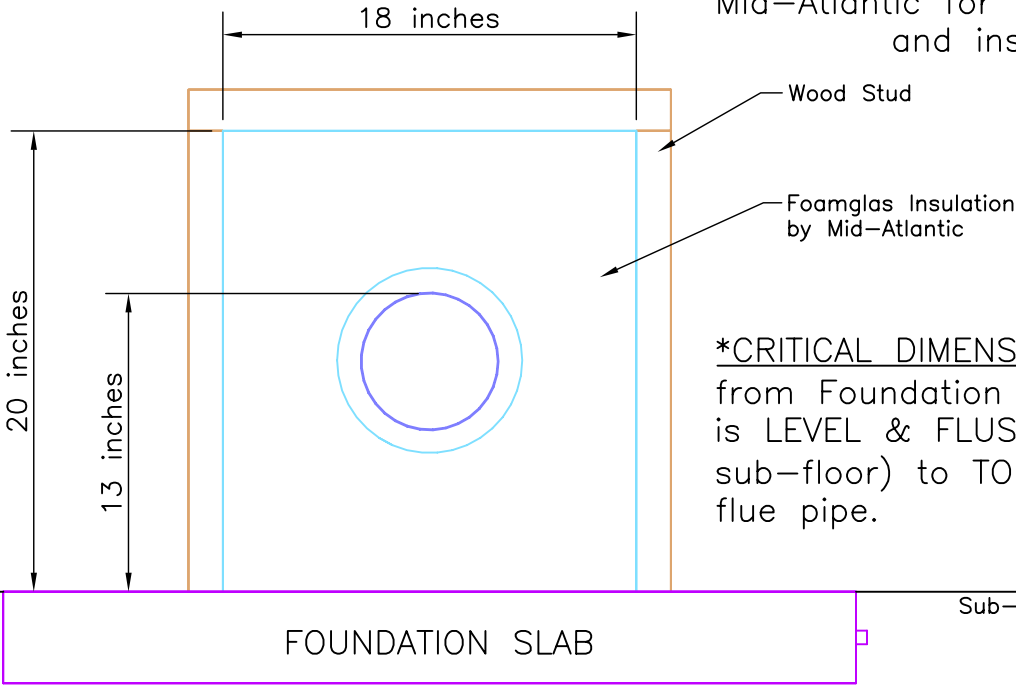
UNIT WEIGHT: 2,500 lbs.  
 Owner/Contractor is responsible for engineering Foundation Slab to support weight of fireplace.



**INFORMATION ONLY**

WALL ELEVATION

Combustible  
Wall by others.



Flue Location may be offset up to 4 inches right or left from center of fireplace.  
If greater offset is needed, contact Mid-Atlantic for revised drawings and installation pricing.  
SEE PAGE 4

**\*CRITICAL DIMENSION: 13"**  
from Foundation Slab (which is LEVEL & FLUSH with sub-floor) to TOP INSIDE flue pipe.

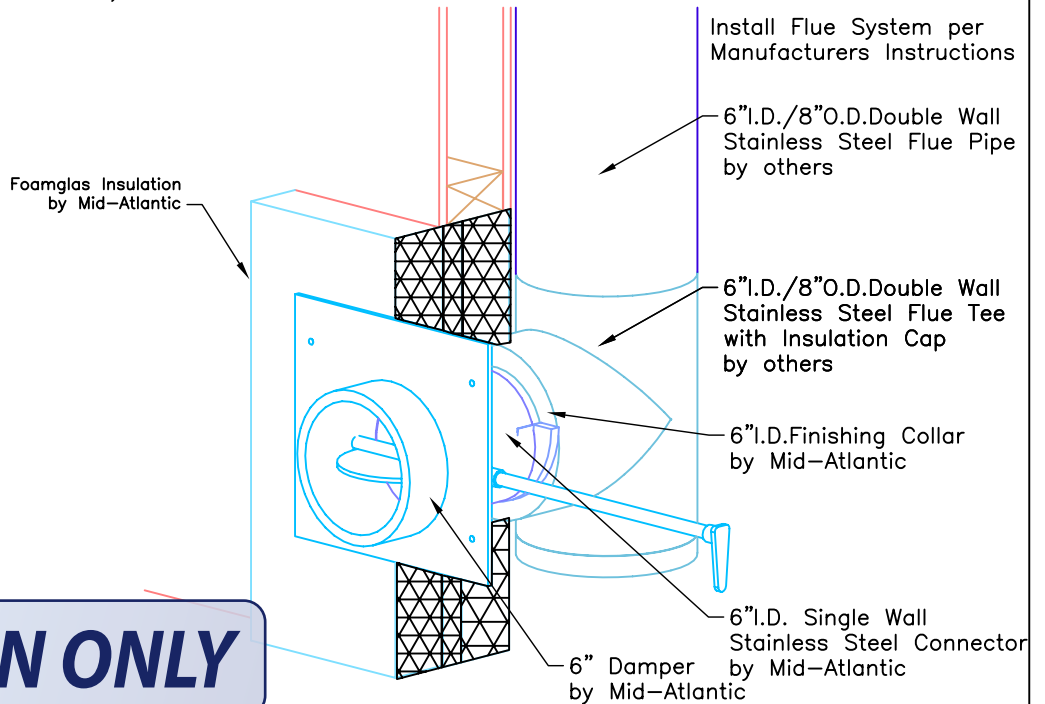
Notes:

- Sheetrock behind Fireplace MUST be in place PRIOR to Installation.
- 18"x20" Opening MUST be in place PRIOR to Installation.
- UL Listed - Minimum Foamglas Insulation 4" on sides & 6" on top of Flue Pipe.

Chimney Placement

\*CRITICAL DIMENSION: 13" from Foundation Slab (which is LEVEL & FLUSH with sub-floor) to TOP INSIDE flue pipe.

Thickness of Finished Floor—Maximum  $\frac{3}{4}$ ".  
If Finished Floor exceeds  $\frac{3}{4}$ " Thickness Mid-Atlantic MUST be contacted for revised specifications.



**INFORMATION ONLY**



MID-ATLANTIC MASONRY HEAT  
1229 Harris Street Suite 1  
Charlottesville, VA 22903  
(434)979-9709 Fax 434-979-6416

PROJECT KOWALEWSKI  
MODEL TU1000/6RFB

CONTRACT 5622  
DRAWN BY G. DIFIORE

VIEW Wall Elevation  
DATE 2/9/04

PAGE 7