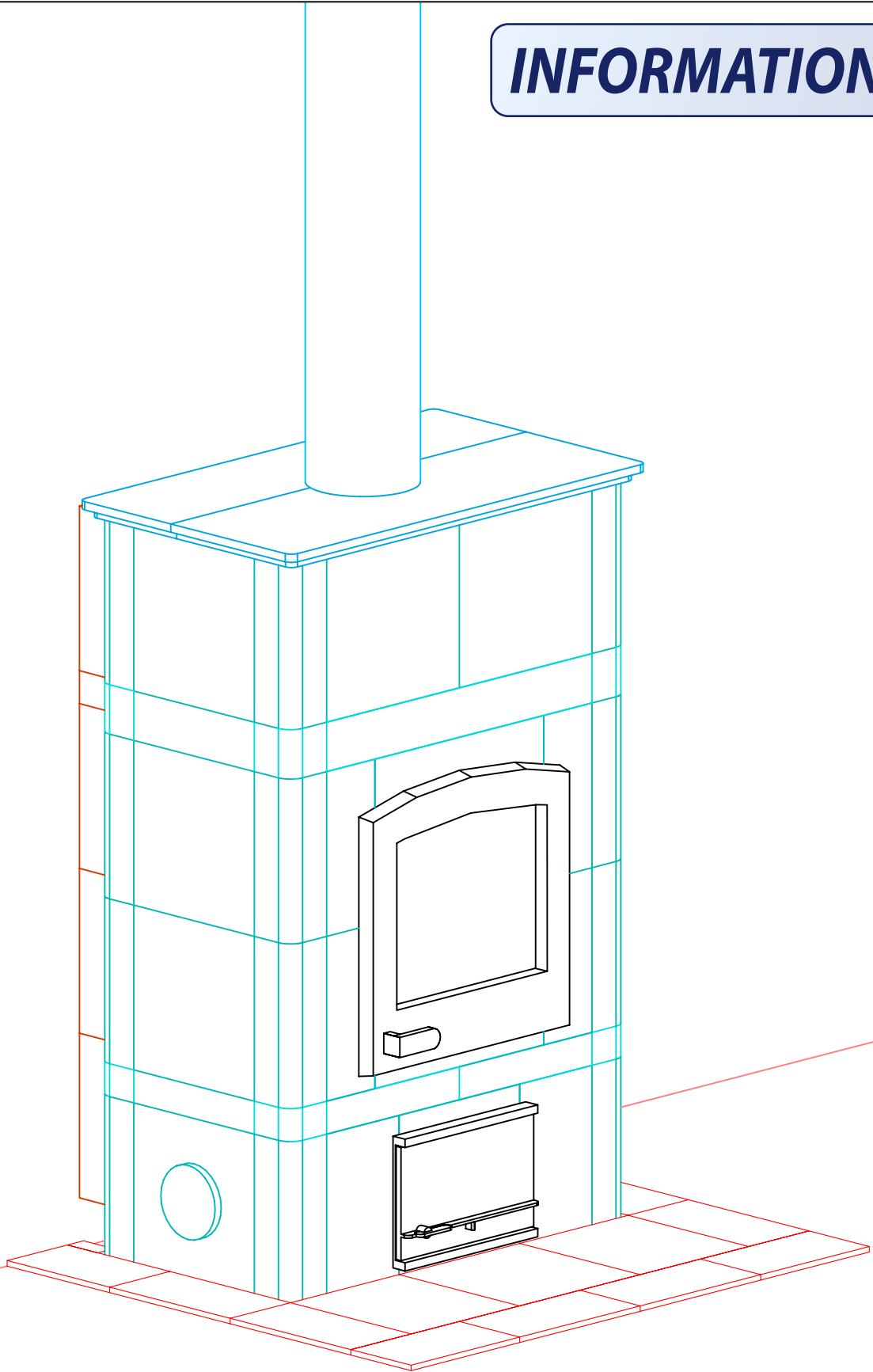


# INFORMATION ONLY



NOTE: Hearth Tiles CUT AND INSTALLED by others



MID-ATLANTIC MASONRY HEAT  
 1229 Harris Street Suite 1  
 Charlottesville, VA 22903  
 (434)979-9709 Fax 434-979-6416

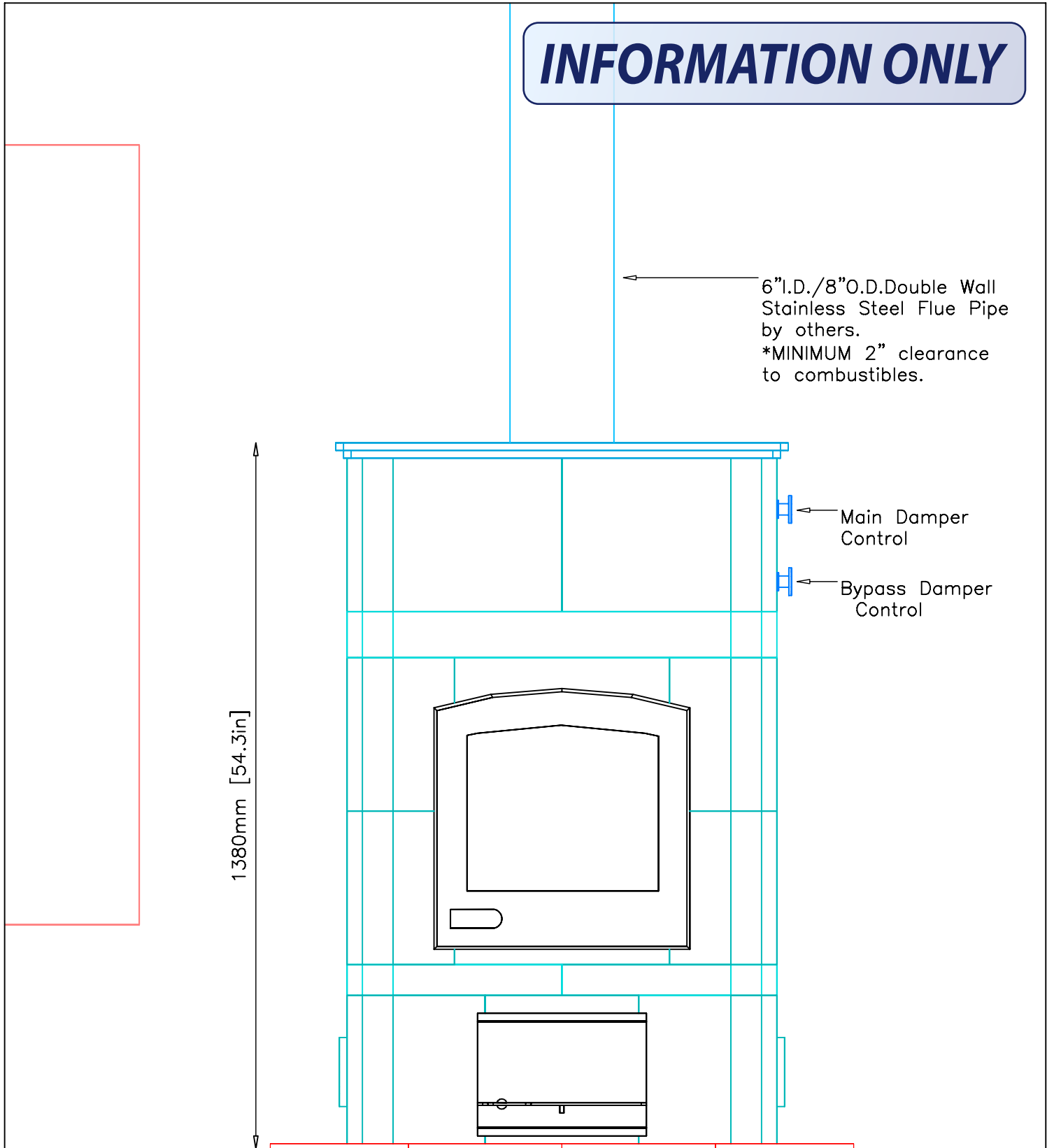
PROJECT LONG  
 MODEL TU1000-T

CONTRACT  
 DRAWN BY D.P.BYRAM

VIEW PERSPECTIVE  
 DATE 1/09/03

PAGE 1

# INFORMATION ONLY



6" I.D./8" O.D. Double Wall Stainless Steel Flue Pipe by others.  
 \*MINIMUM 2" clearance to combustibles.

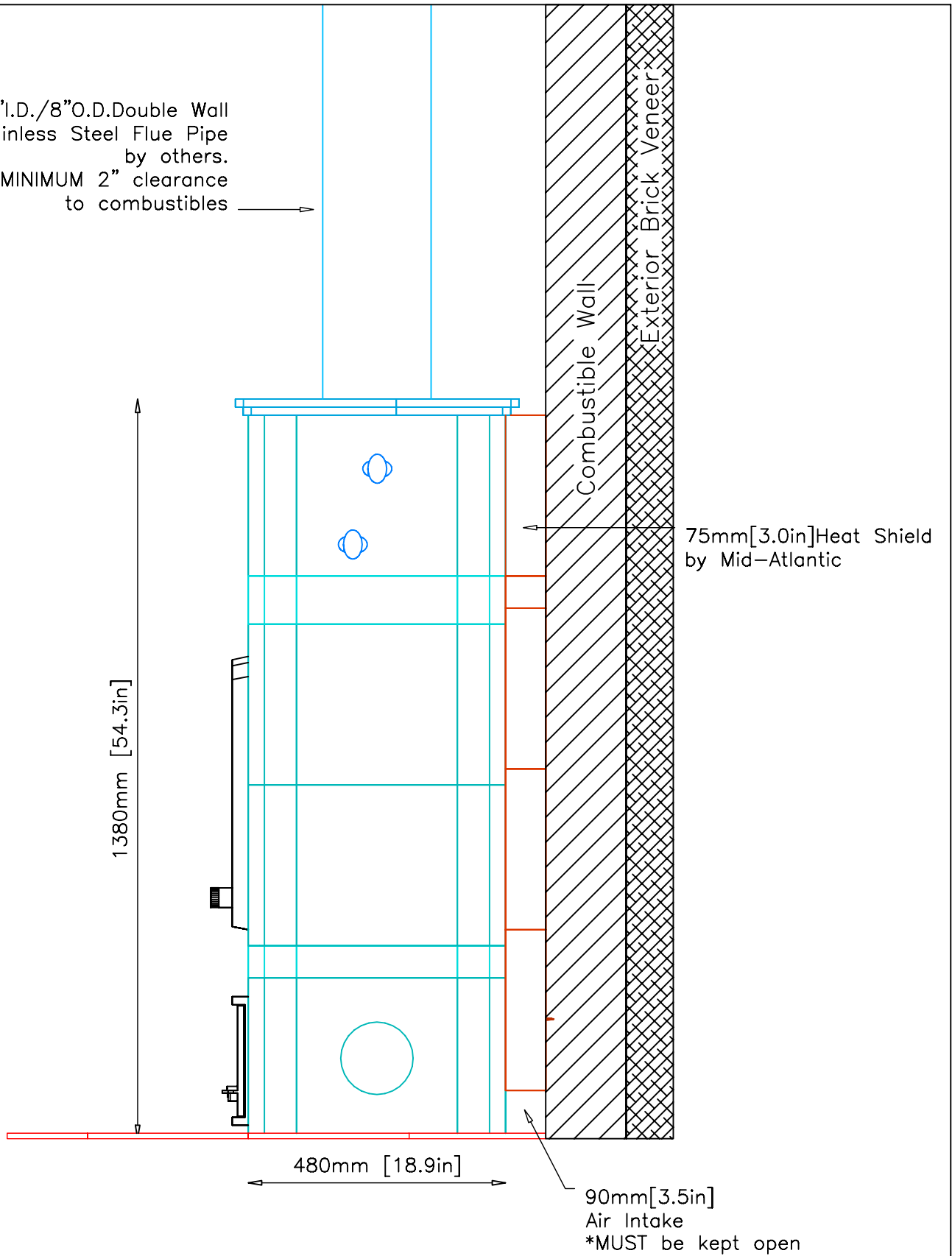
Main Damper Control  
 Bypass Damper Control

1380mm [54.3in]

840mm [33.1in]

6" I.D./8" O.D. Double Wall  
Stainless Steel Flue Pipe  
by others.

\*MINIMUM 2" clearance  
to combustibles



**INFORMATION ONLY**



MID-ATLANTIC MASONRY HEAT  
1229 Harris Street Suite 1  
Charlottesville, VA 22903  
(434)979-9709 Fax 434-979-6416

PROJECT LONG  
MODEL TU1000-T

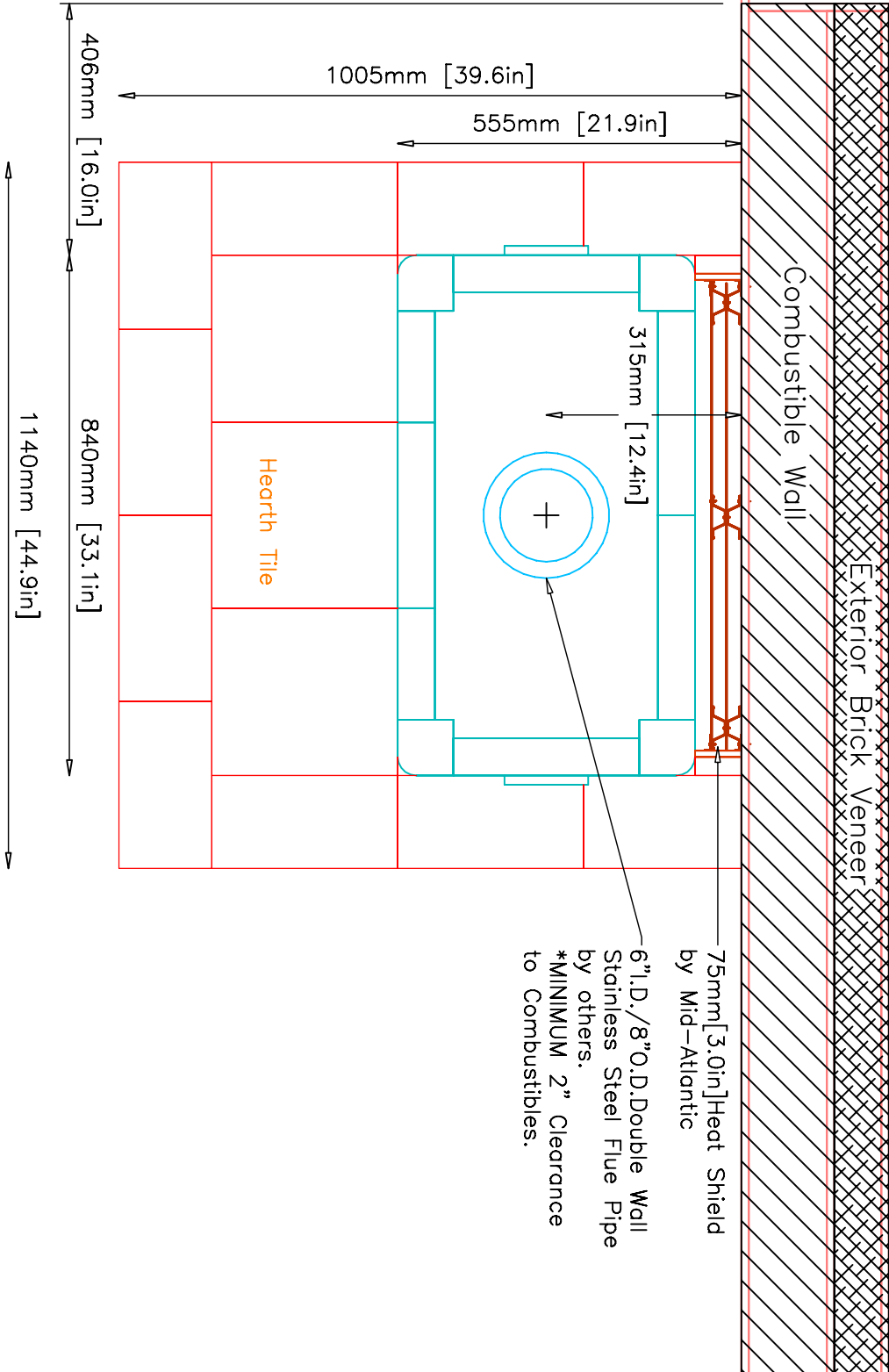
CONTRACT  
DRAWN BY D.P. BYRAM

VIEW SIDE  
DATE 1/09/03

PAGE 3

# INFORMATION ONLY

NOTE: Hearth Tiles CUT AND INSTALLED by others



6" I.D./8" O.D. Double Wall  
Stainless Steel Flue Pipe  
by others.  
\*MINIMUM 2" Clearance  
to Combustibles.

75mm [3.0in] Heat Shield  
by Mid-Atlantic

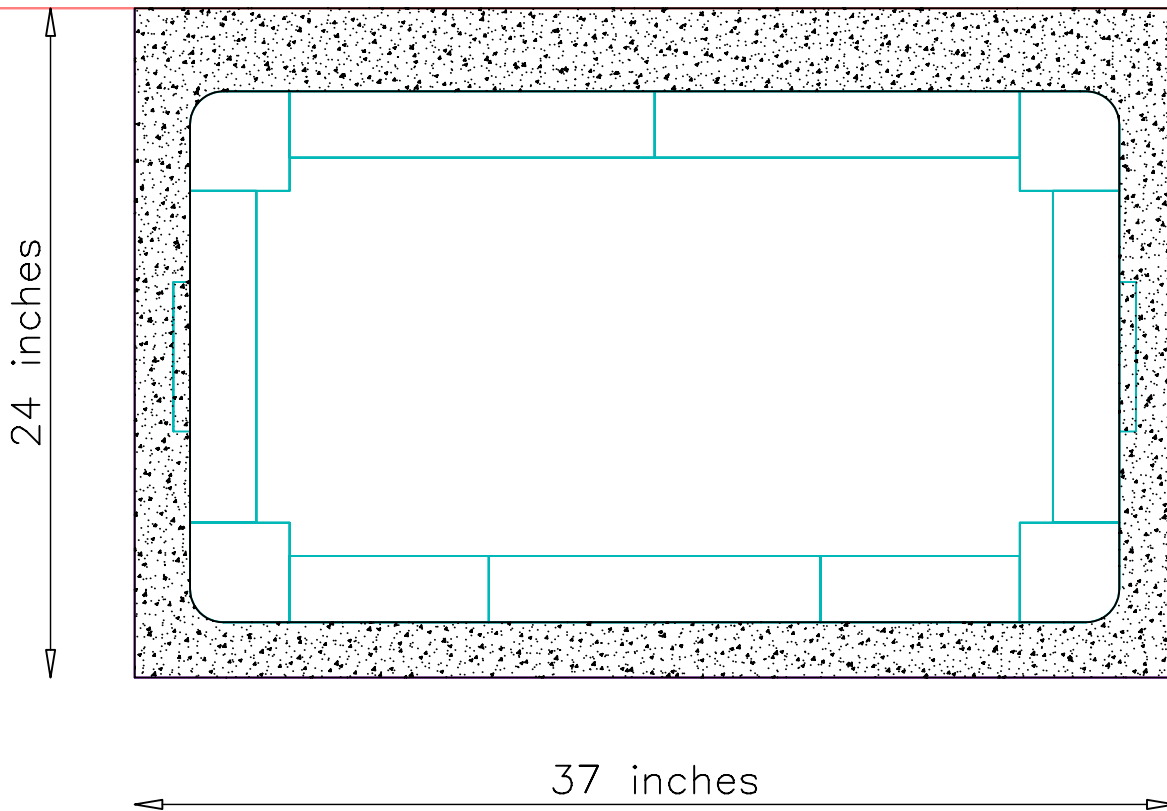
# CAPPING SLAB

Minimum Dimensions--2" from Base of Unit

**INFORMATION ONLY**

Exterior Brick Veneer

Combustible Wall



**NOTE:**

TOP OF CAPPING SLAB TO BE LEVEL AND FLUSH WITH SUB-FLOOR

- Tolerances: +/- 1/8" No additional cost to adjust slab
- +/- 1/4" \$150.00-\$200.00 additional cost to adjust slab
- +/- 1/2" \$500.00 additional cost to adjust slab

UNIT WEIGHT: Approx. 3500lbs.

Contractor is responsible for engineering capping slab to support weight of fireplace.



MID-ATLANTIC MASONRY HEAT  
 1229 Harris Street Suite 1  
 Charlottesville, VA 22903  
 (434)979-9709 Fax 434-979-6416

PROJECT LONG  
 MODEL TU1000-T

CONTRACT  
 DRAWN BY D.P.BYRAM

VIEW SUPPORT  
 DATE 1/09/03

PAGE

5