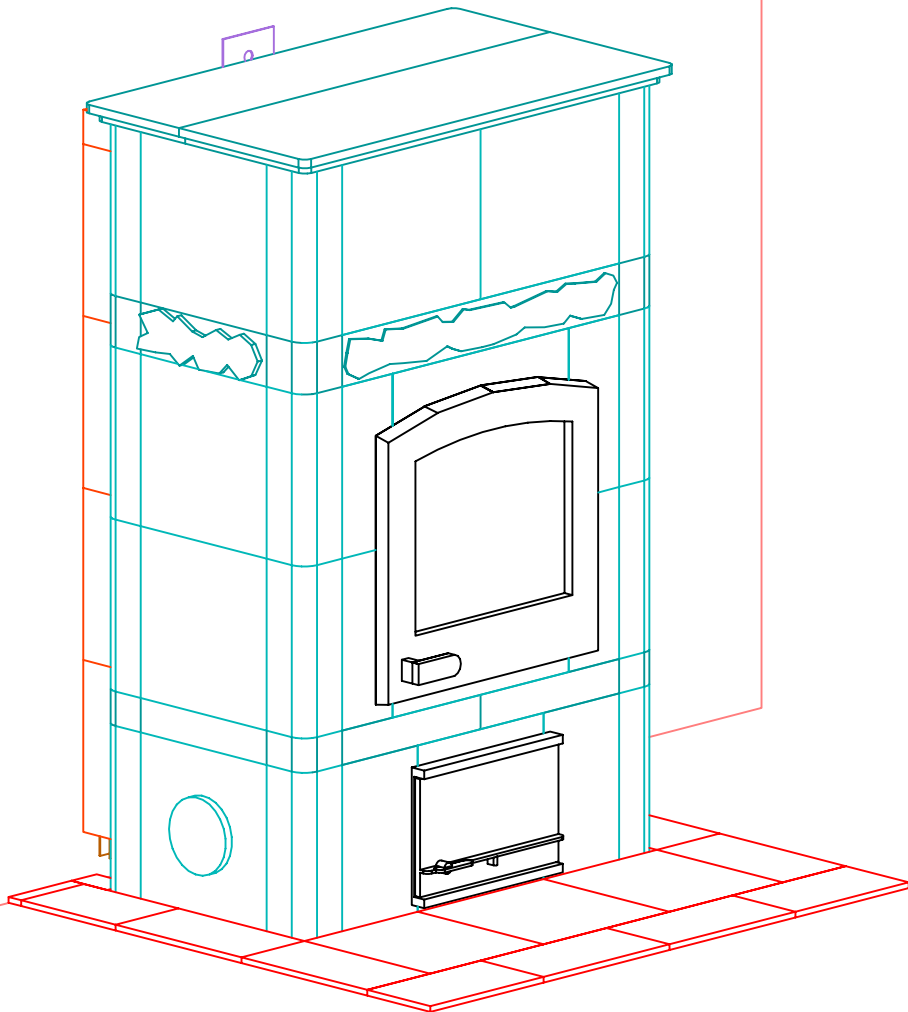


# INFORMATION ONLY



NOTE: Hearth Tiles CUT AND INSTALLED by others



MID-ATLANTIC MASONRY HEAT  
1229 Harris Street Suite 1  
Charlottesville, VA 22903  
(434)979-9709 Fax 434-979-6416

PROJECT PAGE  
MODEL TU1000/6RFB

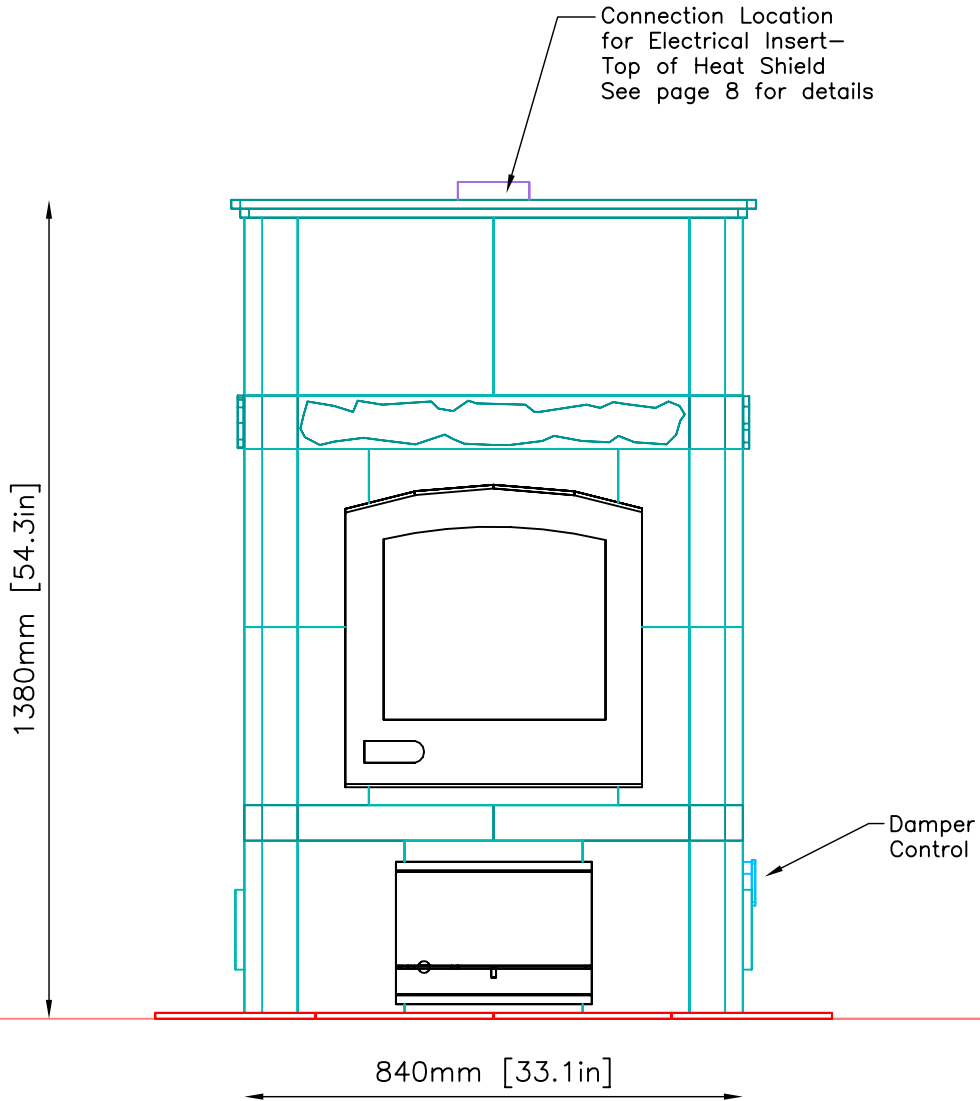
CONTRACT 5620  
DRAWN BY T.A. LA BIER

VIEW PERSPECTIVE  
DATE 02/05/04

PAGE 1

# INFORMATION ONLY

FRONT VIEW



NOTE: Hearth Tiles CUT AND INSTALLED by others



MID-ATLANTIC MASONRY HEAT  
1229 Harris Street Suite 1  
Charlottesville, VA 22903  
(434)979-9709 Fax 434-979-6416

PROJECT PAGE  
MODEL TU1000/6RFB

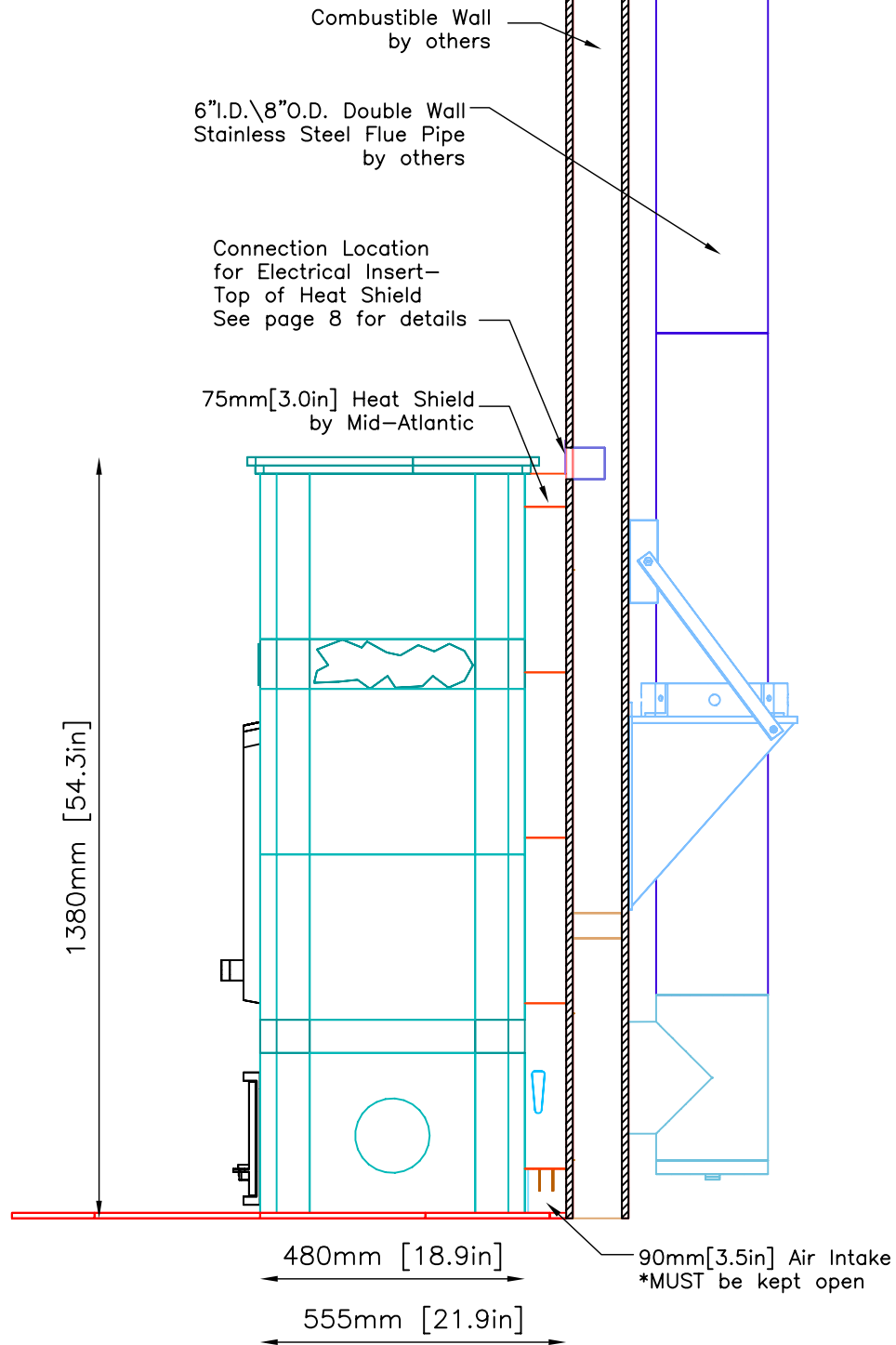
CONTRACT 5620  
DRAWN BY T.A. LA BIER

VIEW FRONT  
DATE 02/05/04

PAGE 2

SIDE VIEW

**INFORMATION ONLY**



NOTE: Hearth Tiles CUT AND INSTALLED by others



MID-ATLANTIC MASONRY HEAT  
 1229 Harris Street Suite 1  
 Charlottesville, VA 22903  
 (434)979-9709 Fax 434-979-6416

PROJECT PAGE  
 MODEL TU1000/6RFB

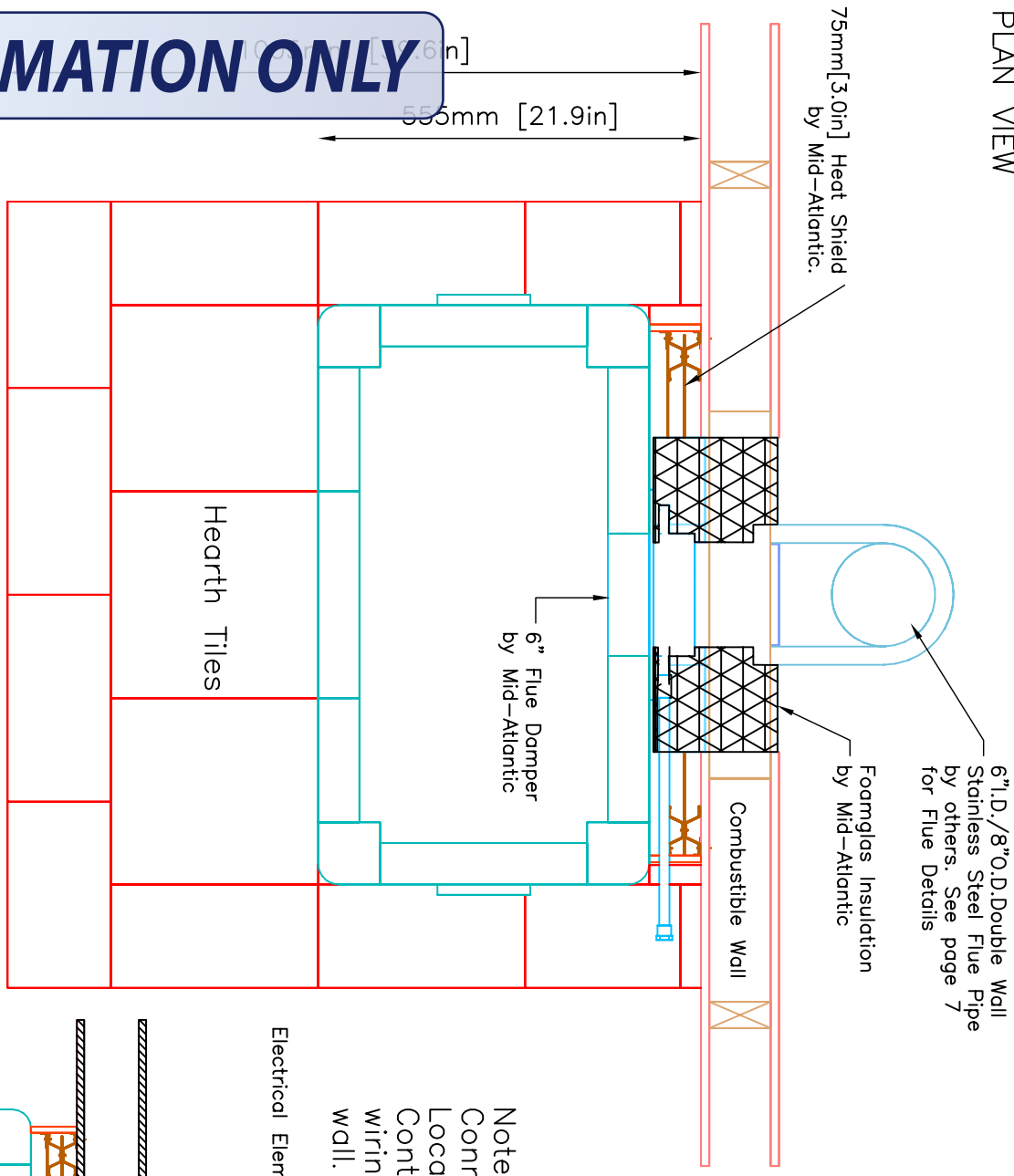
CONTRACT 5620  
 DRAWN BY T.A. LA BIER

VIEW SIDE  
 DATE 02/05/04

PAGE 3

PLAN VIEW

**INFORMATION ONLY**



6" I.D./8" O.D. Double Wall Stainless Steel Flue Pipe by others. See page 7 for Flue Details

75mm [3.0in] Heat Shield by Mid-Atlantic.

Foamglas Insulation by Mid-Atlantic

6" Flue Damper by Mid-Atlantic

Hearth Tiles

840mm [33.1in]  
1140mm [44.9in]

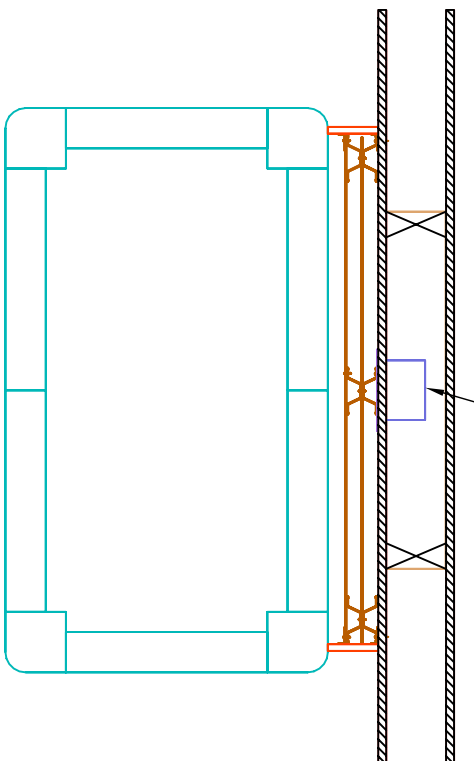
NOTE: Hearth Tiles CUT AND INSTALLED by others

Flue Location may be offset up to 4 inches right or left from CENTER of Fireplace. If greater offset is needed, contact Mid-Atlantic for revised drawings and installation pricing.

Note:  
Connection for Electrical Insert:  
Located at top of Heat Shield.  
Contractor is responsible for wiring and connection box in wall.

Electrical Element

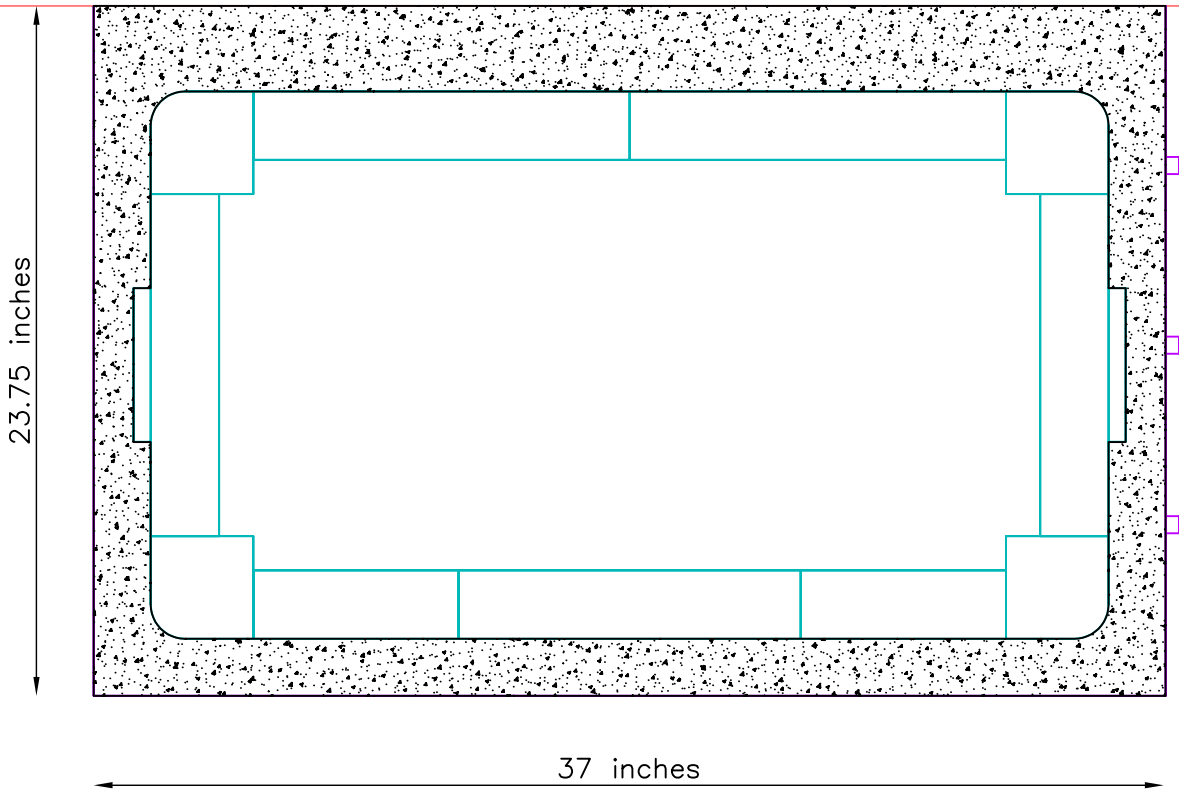
Connection Location for Electrical Insert—Top of Heat Shield See page 8 for details



# INFORMATION ONLY

## FOUNDATION SLAB

Minimum 4" Thick Poured Concrete With Rebar 6"O.C.  
 Minimum Dimensions--2" from Base of Unit



NOTE:  
 TOP OF FOUNDATION SLAB TO BE LEVEL AND FLUSH WITH SUB-FLOOR  
 Tolerances: +/- 1/8" No additional cost to level slab  
 +/- 1/4" \$150.00-\$200.00 additional cost to level slab  
 +/- 1/2" \$500.00 additional cost to level slab

UNIT WEIGHT: 2500 lbs.

Owner/Contractor is responsible for engineering Foundation Slab to support weight of fireplace.



MID-ATLANTIC MASONRY HEAT  
 1229 Harris Street Suite 1  
 Charlottesville, VA 22903  
 (434)979-9709 Fax 434-979-6416

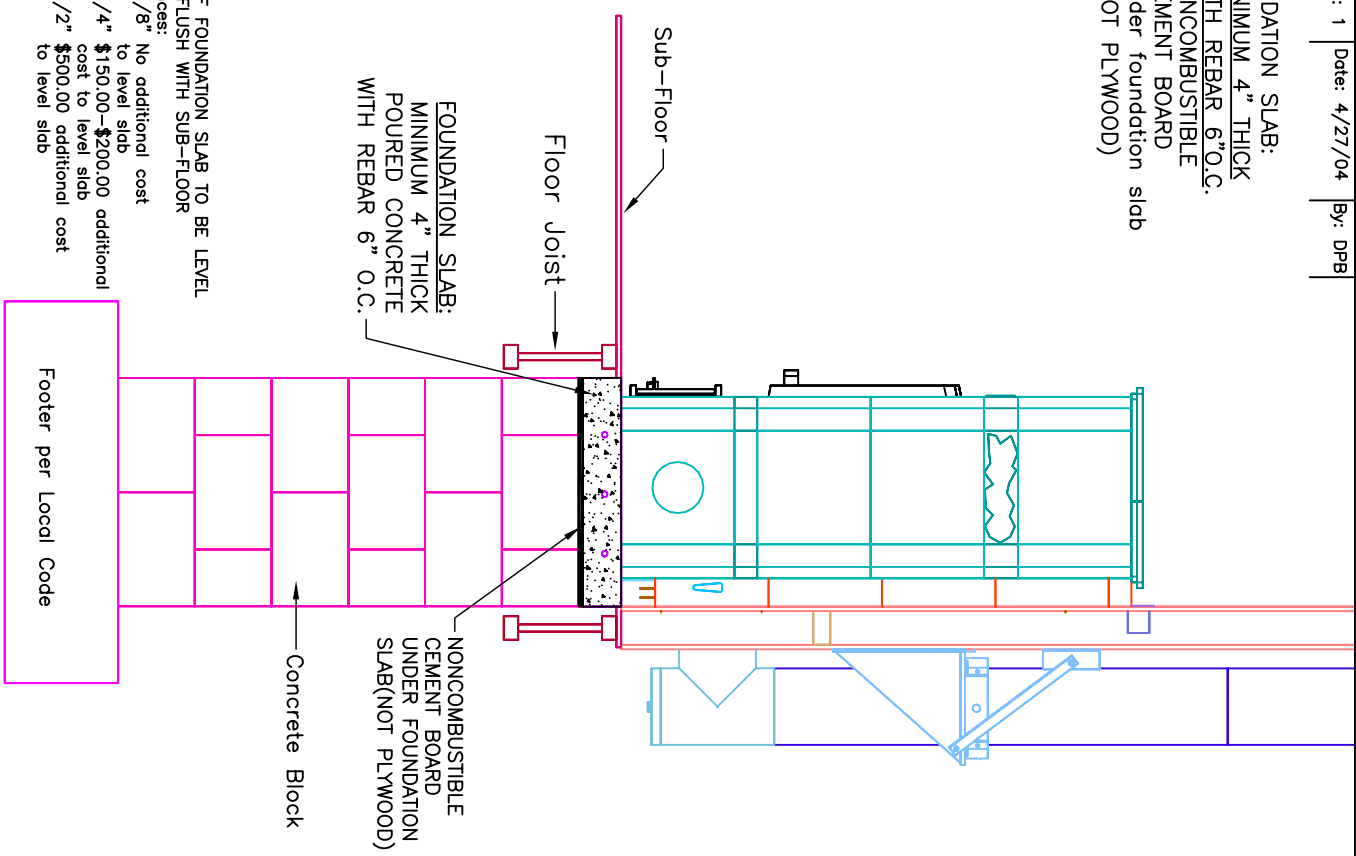
PROJECT PAGE  
 MODEL TU1000/6RFB

CONTRACT 5620  
 DRAWN BY T.A. LA BIER

VIEW SUPPORT  
 DATE 02/05/04

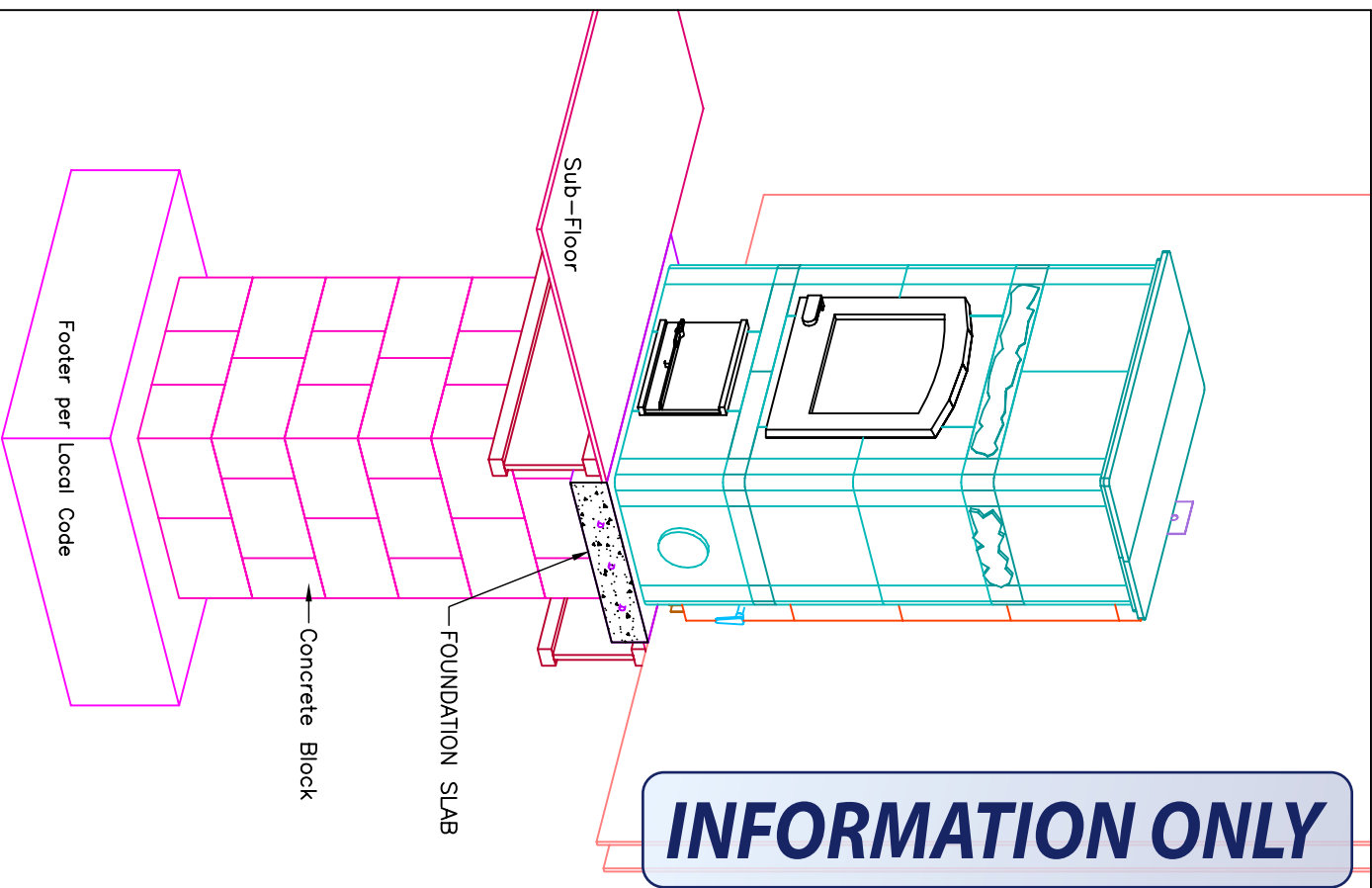
PAGE 5

FOUNDATION SLAB:  
 \* MINIMUM 4" THICK  
 WITH REBAR 6" O.C.  
 \* NONCOMBUSTIBLE  
 CEMENT BOARD  
 under foundation slab  
 (NOT PLYWOOD)



NOTE:  
 TOP OF FOUNDATION SLAB TO BE LEVEL  
 AND FLUSH WITH SUB-FLOOR  
 Tolerances:  
 +/- 1/8" No additional cost  
 +/- 1/4" \$150.00-\$200.00 additional  
 cost to level slab  
 +/- 1/2" \$500.00 additional cost  
 to level slab

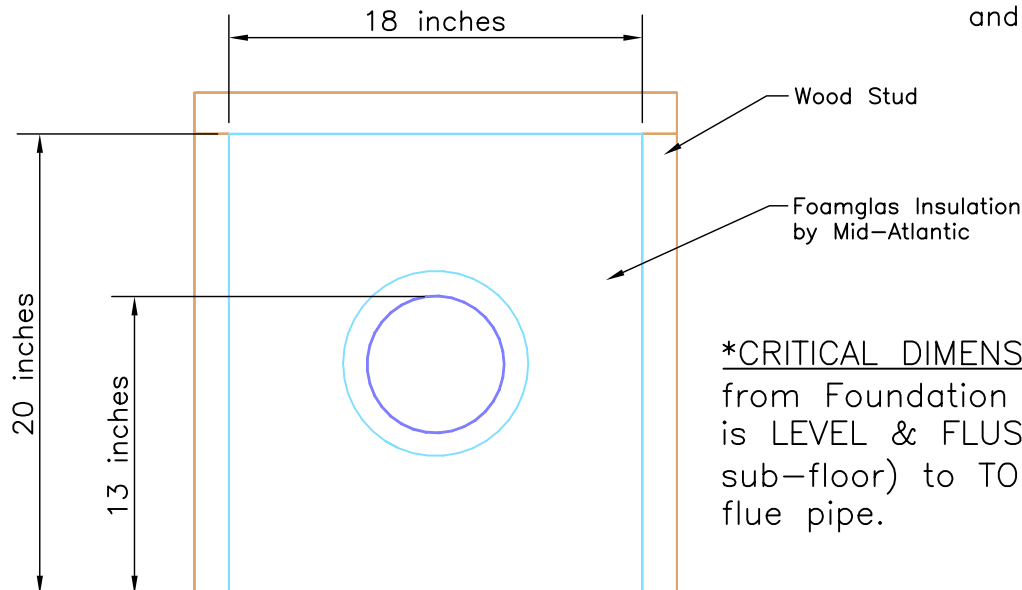
UNIT WEIGHT: 2500 lbs.  
 Owner/Contractor is responsible for engineering Foundation Slab to support weight of fireplace.



**INFORMATION ONLY**

# WALL ELEVATION

Combustible  
Wall by others.



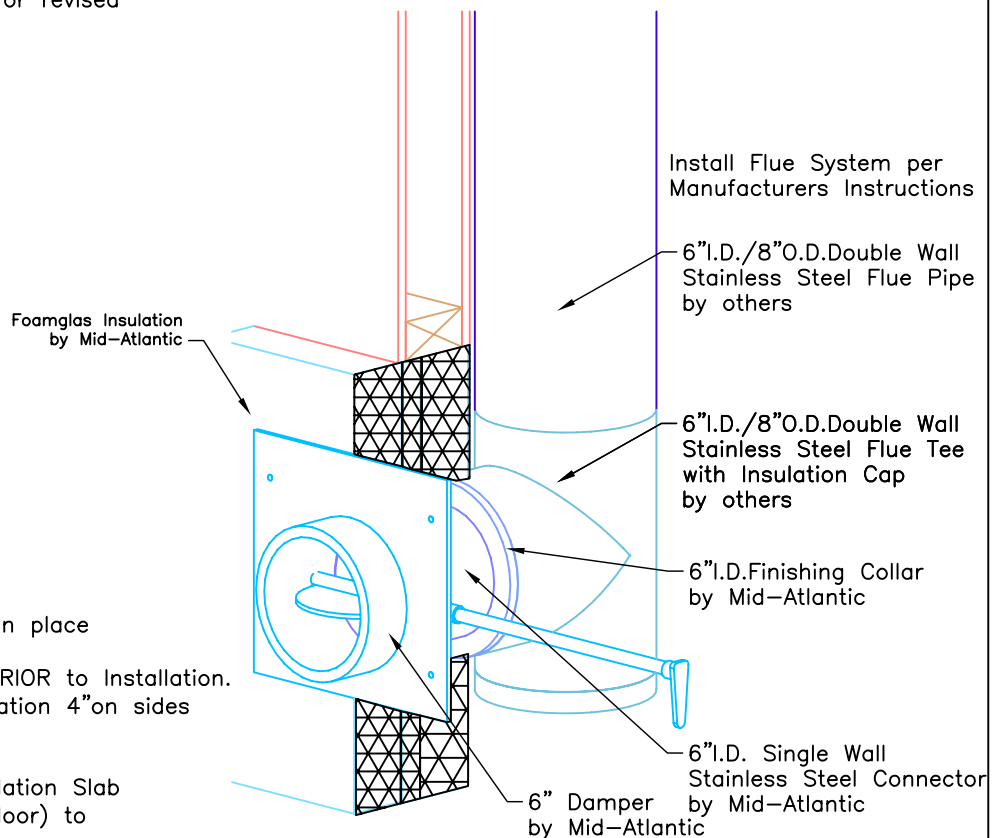
Flue Location may be offset  
up to 4 inches right or left  
from CENTER of Fireplace.  
If greater offset is needed, contact  
Mid-Atlantic for revised drawings  
and installation pricing.  
SEE PAGE 4

**\*CRITICAL DIMENSION: 13"**  
from Foundation Slab (which  
is LEVEL & FLUSH with  
sub-floor) to TOP INSIDE  
flue pipe.



## INFORMATION ONLY

Thickness of Finished Floor—Maximum  $\frac{3}{4}$ ".  
If Finished Floor exceeds  $\frac{3}{4}$ " Thickness  
Mid-Atlantic MUST be contacted for revised  
specifications.



**Notes:**

- Sheetrock behind Fireplace MUST be in place PRIOR to Installation.
- 18"x20" Opening MUST be in place PRIOR to Installation.
- UL Listed – Minimum Foamglas Insulation 4" on sides & 6" on top of Flue Pipe.

**Chimney Placement**

**\*CRITICAL DIMENSION: 13"** from Foundation Slab (which is LEVEL & FLUSH with sub-floor) to TOP INSIDE flue pipe.



MID-ATLANTIC MASONRY HEAT  
1229 Harris Street Suite 1  
Charlottesville, VA 22903  
(434)979-9709 Fax 434-979-6416

PROJECT PAGE  
MODEL TU1000/6RFB

CONTRACT 5620  
DRAWN BY T.A.LA BIER

VIEW Wall Elevation  
DATE 02/05/04

PAGE 7