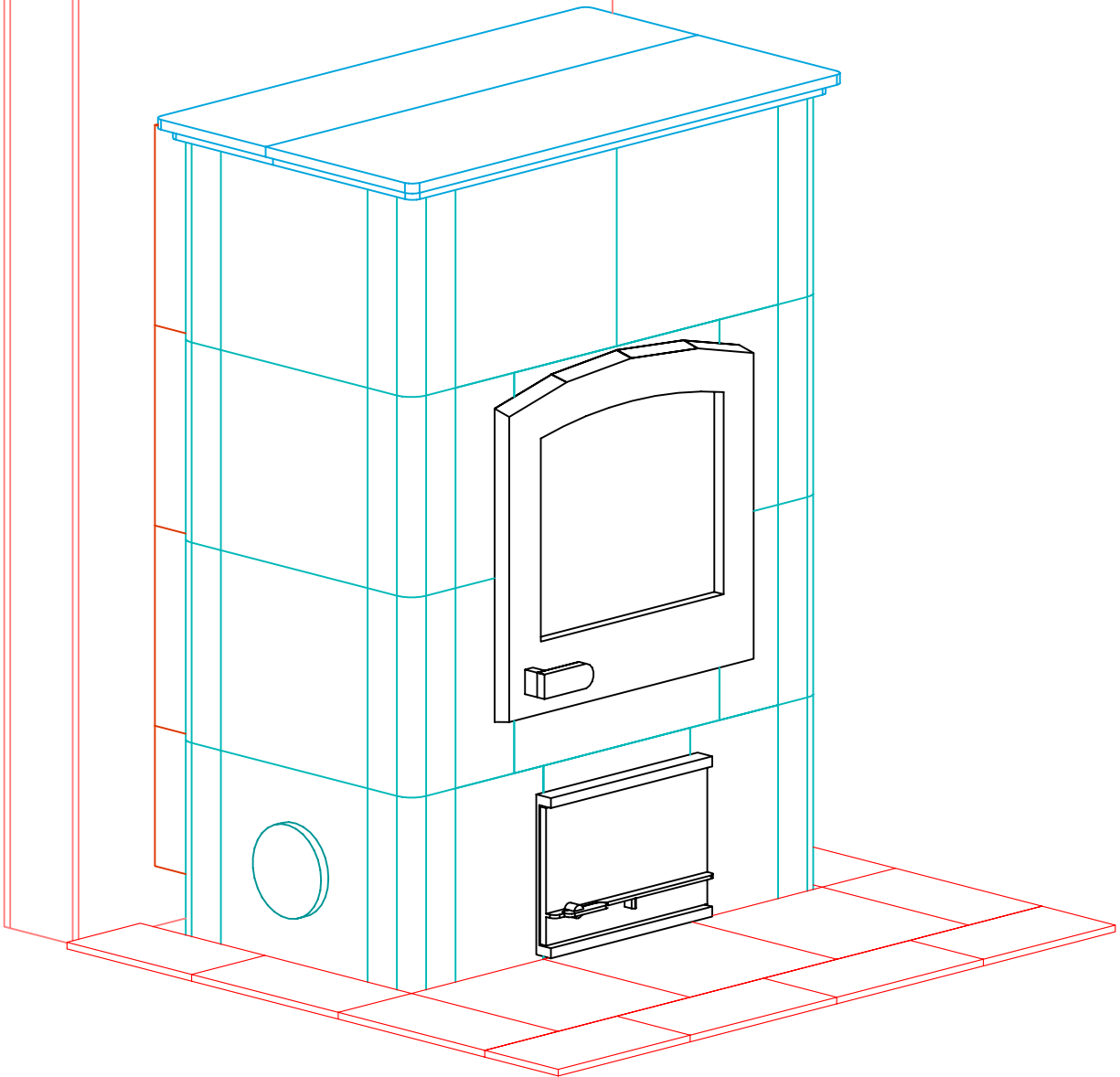


INFORMATION ONLY



NOTE: Hearth Tiles CUT AND INSTALLED by others



MID-ATLANTIC MASONRY HEAT
1229 Harris Street Suite 1
Charlottesville, VA 22903
(434)979-9709 Fax 434-979-6416

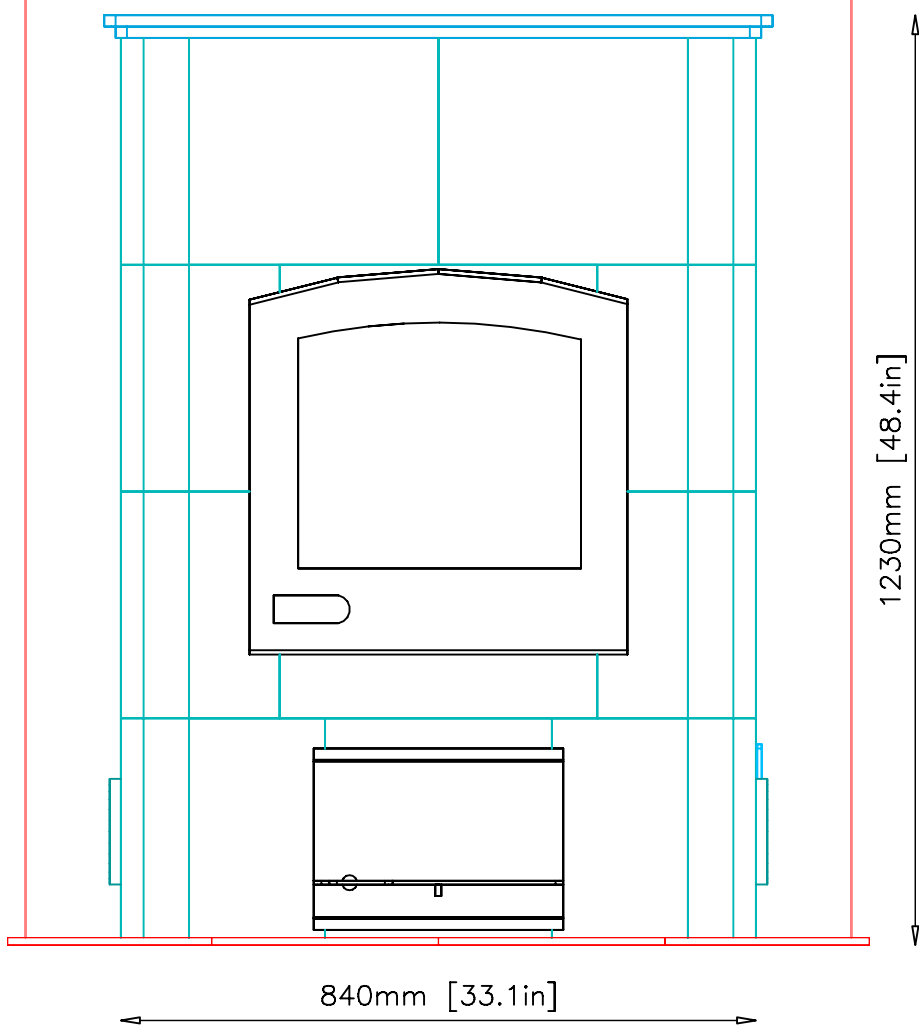
PROJECT Roieau-Kinsey
MODEL TU1000

CONTRACT
DRAWN BY D.P.BYRAM

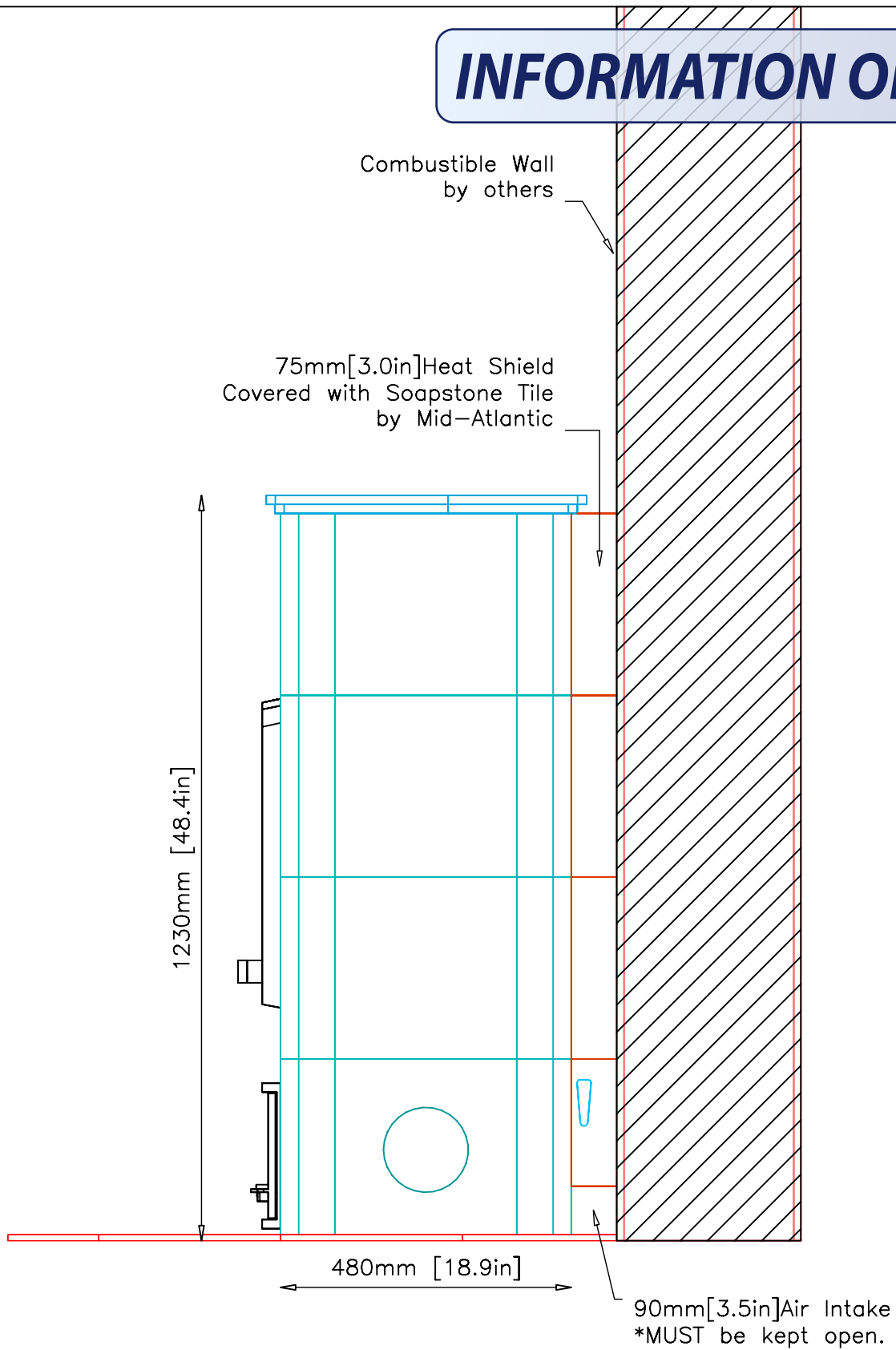
VIEW PERSPECTIVE
DATE 12/23/02

PAGE 1

INFORMATION ONLY

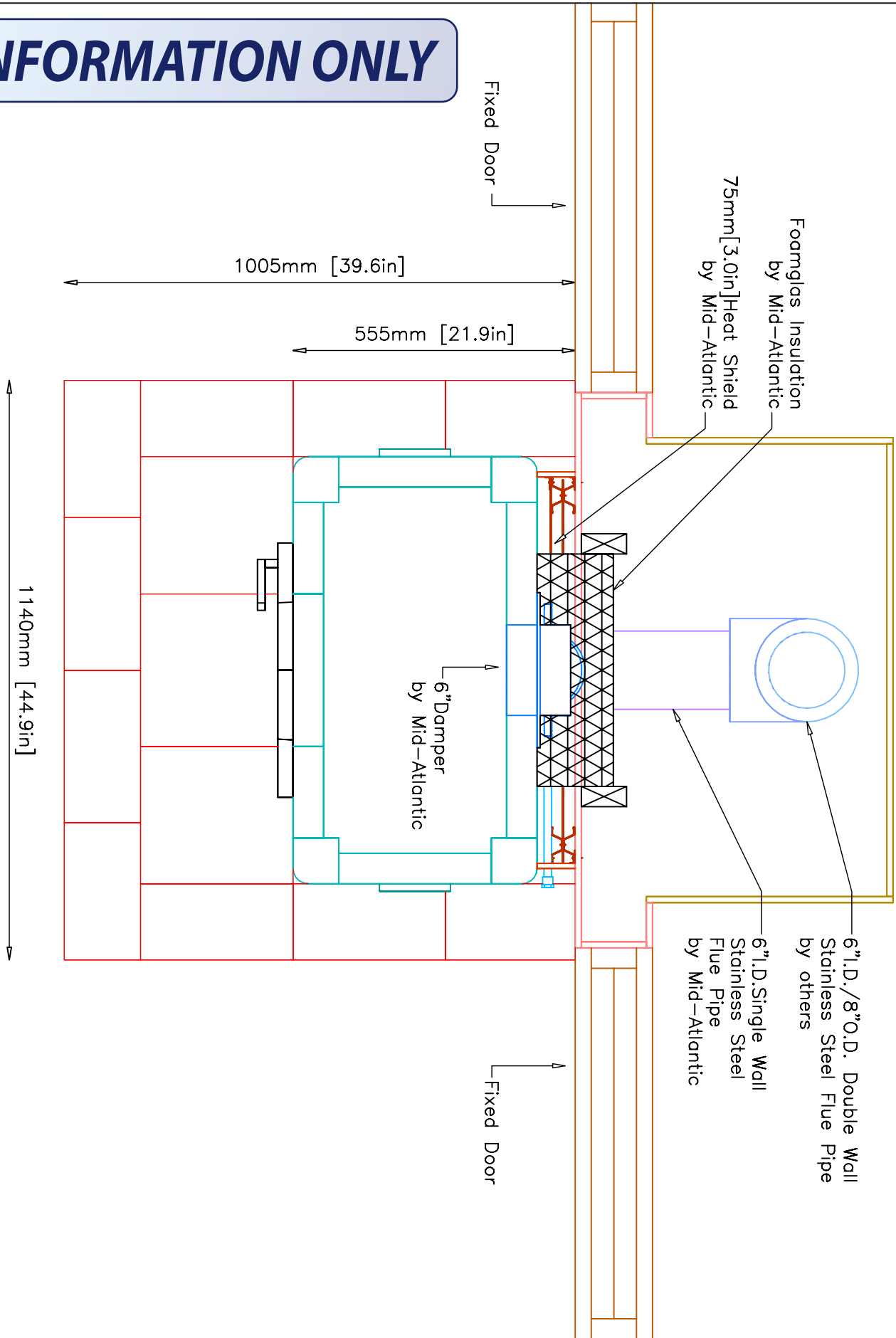



INFORMATION ONLY



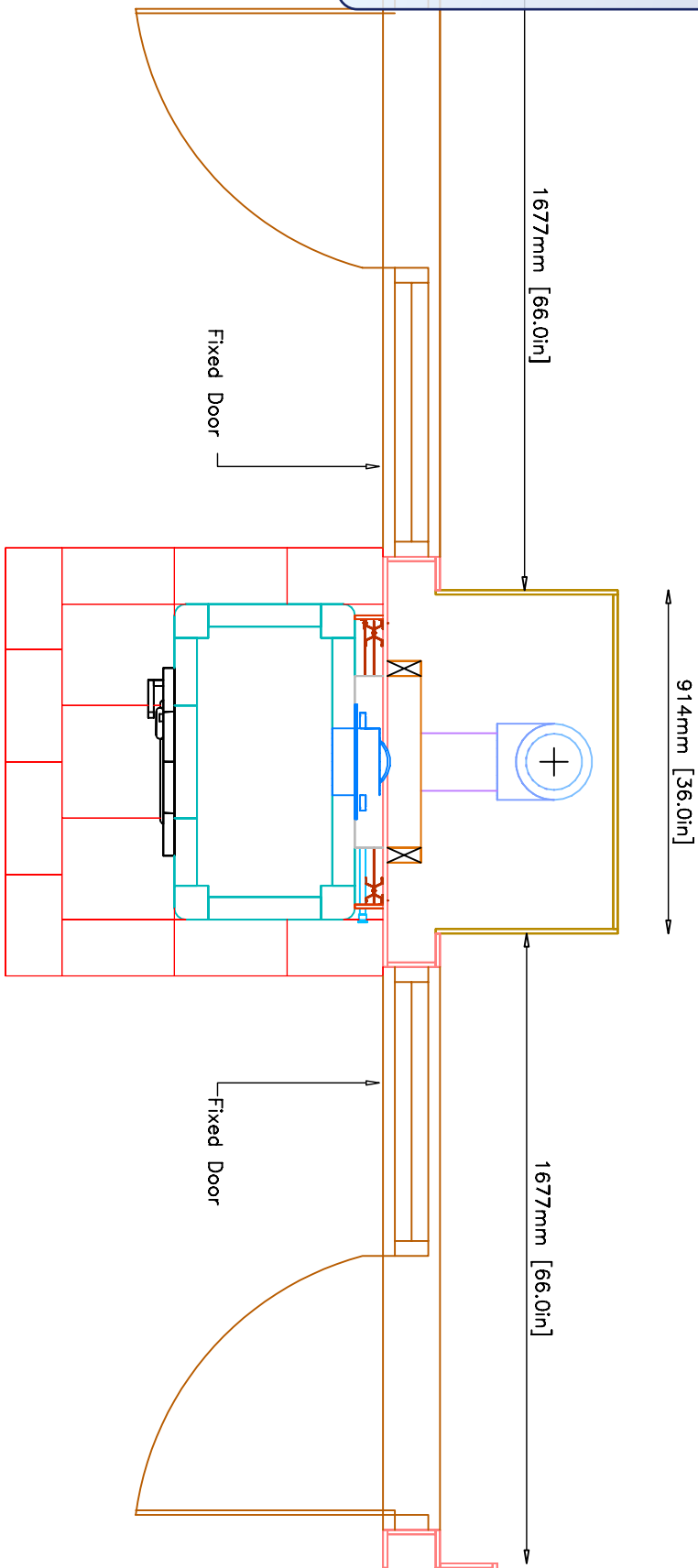
INFORMATION ONLY

NOTE: Hearth Tiles CUT AND INSTALLED by others



	MID-ATLANTIC MASONRY HEAT 1229 Harris Street Suite 1 Charlottesville, VA 22903 (434)979-9709 Fax 434-979-6416		PROJECT Roieau-Kinsey	CONTRACT	VIEW PLAN	PAGE 4
	MODEL TU1000	DRAWN BY D.P.BYRAM	DATE 12/23/02			

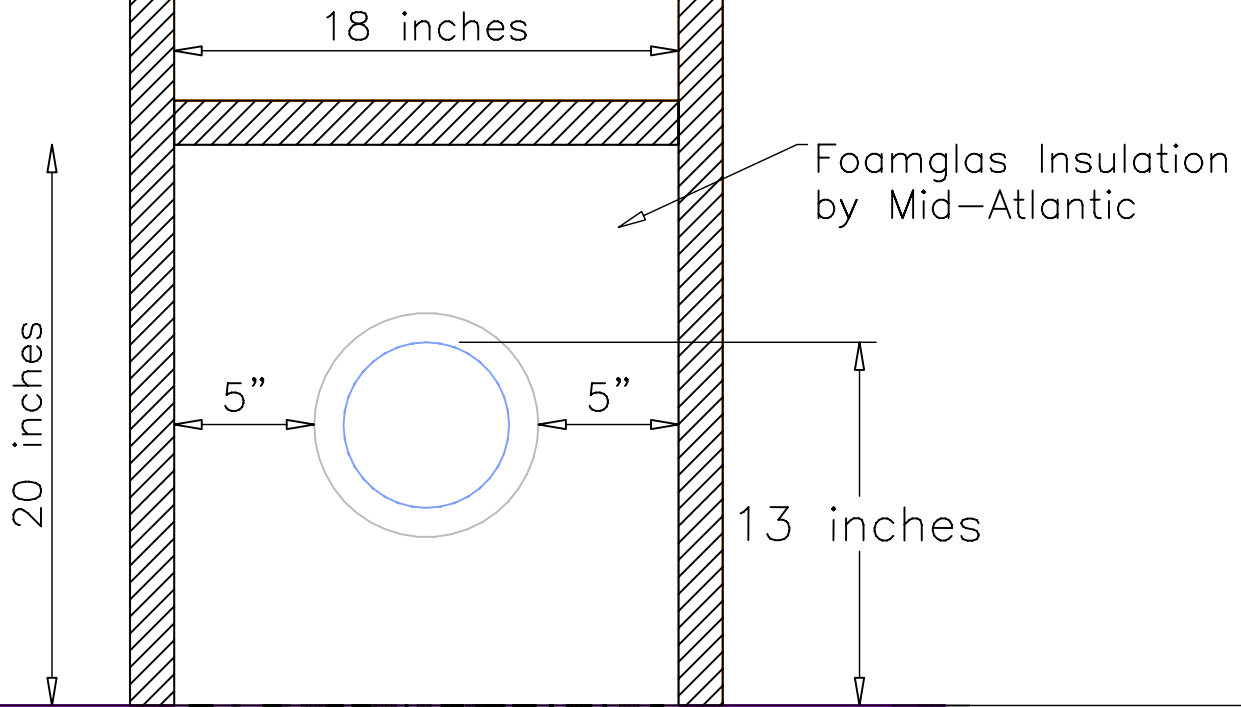
INFORMATION ONLY



NOTE: Hearth Tiles CUT AND INSTALLED by others

Wall Elevation

INFORMATION ONLY



Subfloor Line

*CRITICAL DIMENSION:
 13" from Capping Slab
 (which is level & flush with sub-floor)
 to TOP INSIDE Flue Pipe

Wall Opening:

Sheetrock around 18"X20" Opening Must be in place prior to installation
 UL Listed-MINIMUM 4" Foamglas Insulation around Flue Pipe

Chimney Placement:

*CRITICAL DIMENSION-13" from Capping Slab(which is level & flush with subfloor)
 to TOP INSIDE Flue Collar

Chimney-6" I.D./8" O.D. Double Wall Stainless Steel Flue Pipe by others.



MID-ATLANTIC MASONRY HEAT
 1229 Harris Street Suite 1
 Charlottesville, VA 22903
 (434)979-9709 Fax 434-979-6416

PROJECT
 Roieau-Kinsey
 MODEL
 TU1000

CONTRACT
 DRAWN BY
 D.P.BYRAM

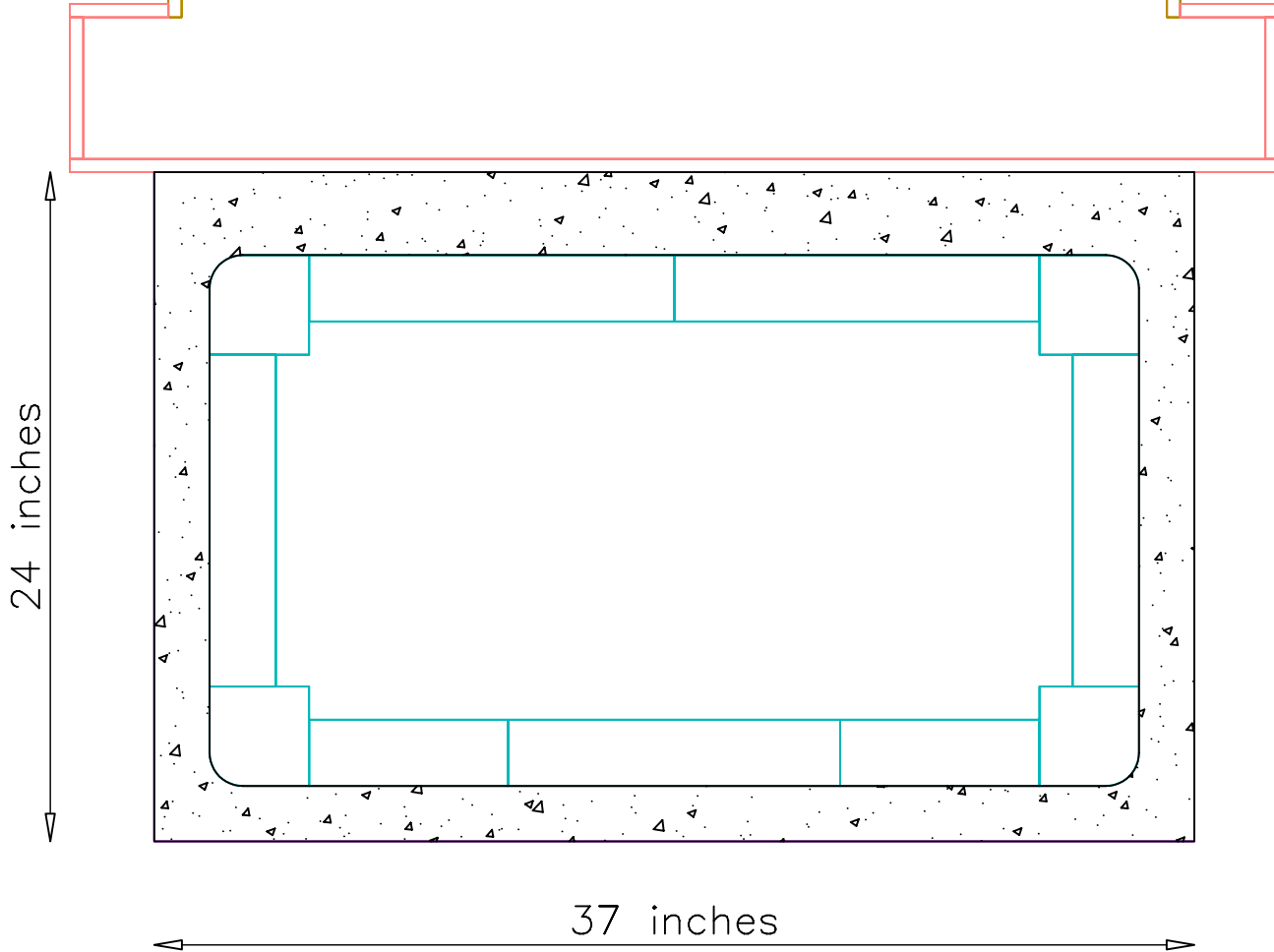
VIEW
 Wall Elevation
 DATE
 12/23/02

PAGE

6

CAPPING SLAB

Minimum Dimensions--2" from Base of Unit



INFORMATION ONLY

NOTE:

TOP OF CAPPING SLAB TO BE LEVEL AND FLUSH WITH SUB-FLOOR

- Tolerances: +/- 1/8" No additional cost to adjust slab
- +/- 1/4" \$150.00-\$200.00 additional cost to adjust slab
- +/- 1/2" \$500.00 additional cost to adjust slab

UNIT WEIGHT: APPROX. 3,500lbs.

Contractor is responsible for engineering capping slab to support weight of fireplace.



MID-ATLANTIC MASONRY HEAT
1229 Harris Street Suite 1
Charlottesville, VA 22903
(434)979-9709 Fax 434-979-6416

PROJECT
Roieau-Kinsey
MODEL
TU1000

CONTRACT
DRAWN BY
D.P.BYRAM

VIEW
SUPPORT
DATE
12/23/02

PAGE

7