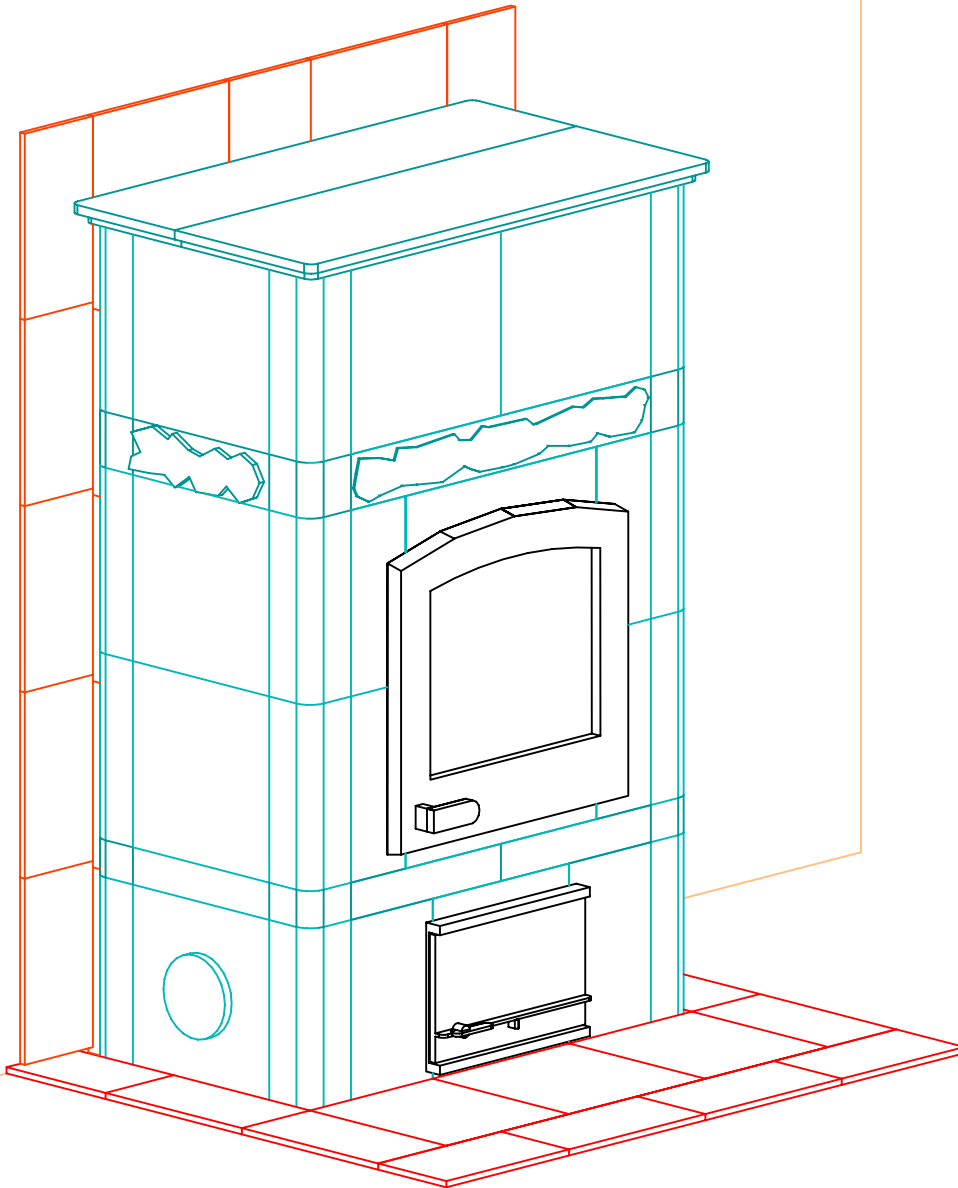


# INFORMATION ONLY



NOTE: Hearth and Wall Tiles CUT AND INSTALLED by others



MID-ATLANTIC MASONRY HEAT  
 1229 Harris Street Suite 1  
 Charlottesville, VA 22903  
 (434)979-9709 Fax 434-979-6416

PROJECT SHERRILL  
 MODEL TU1000/6RFB

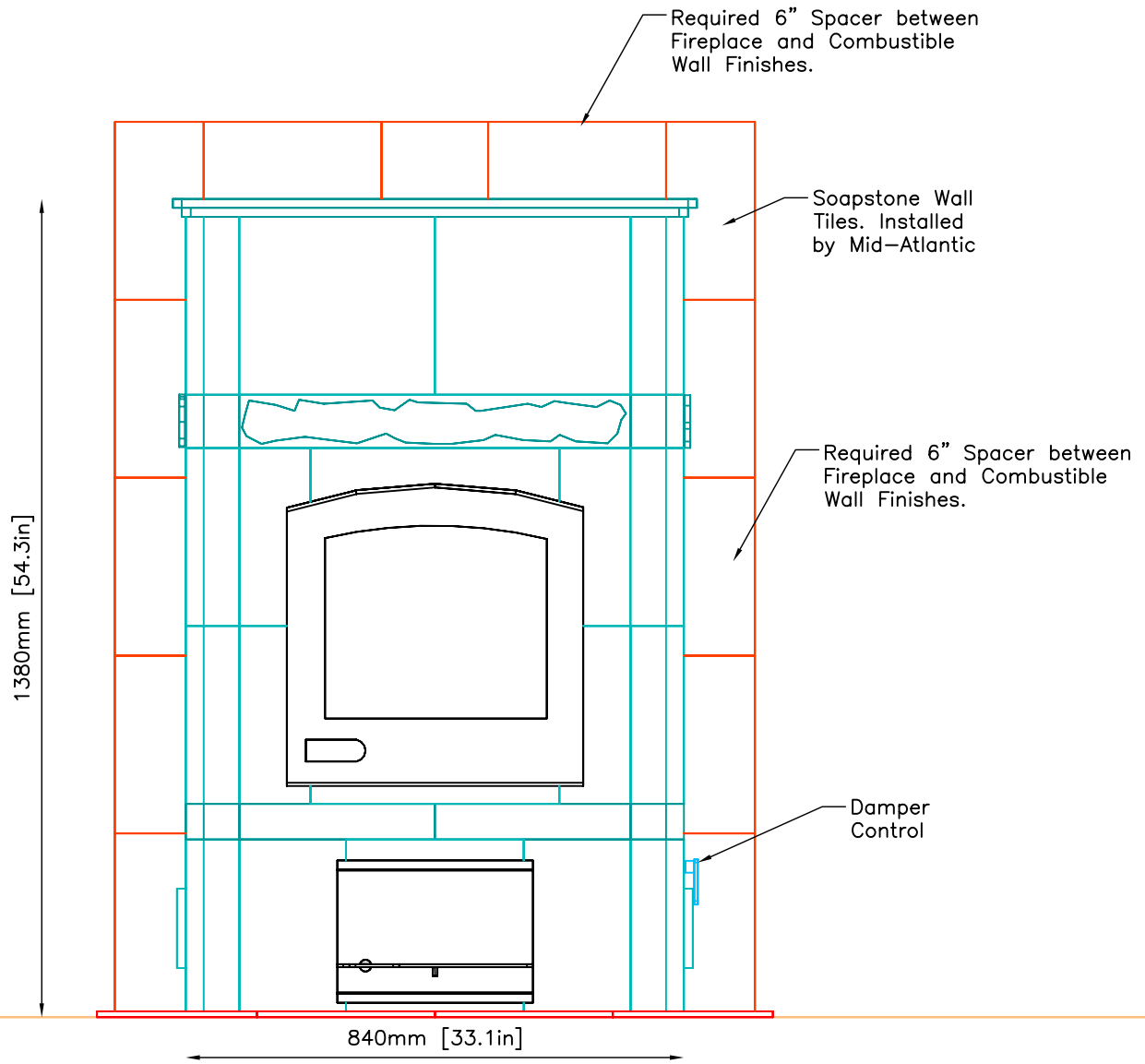
CONTRACT  
 DRAWN BY D.P.BYRAM

VIEW PERSPECTIVE  
 DATE 7/24/03

PAGE 1

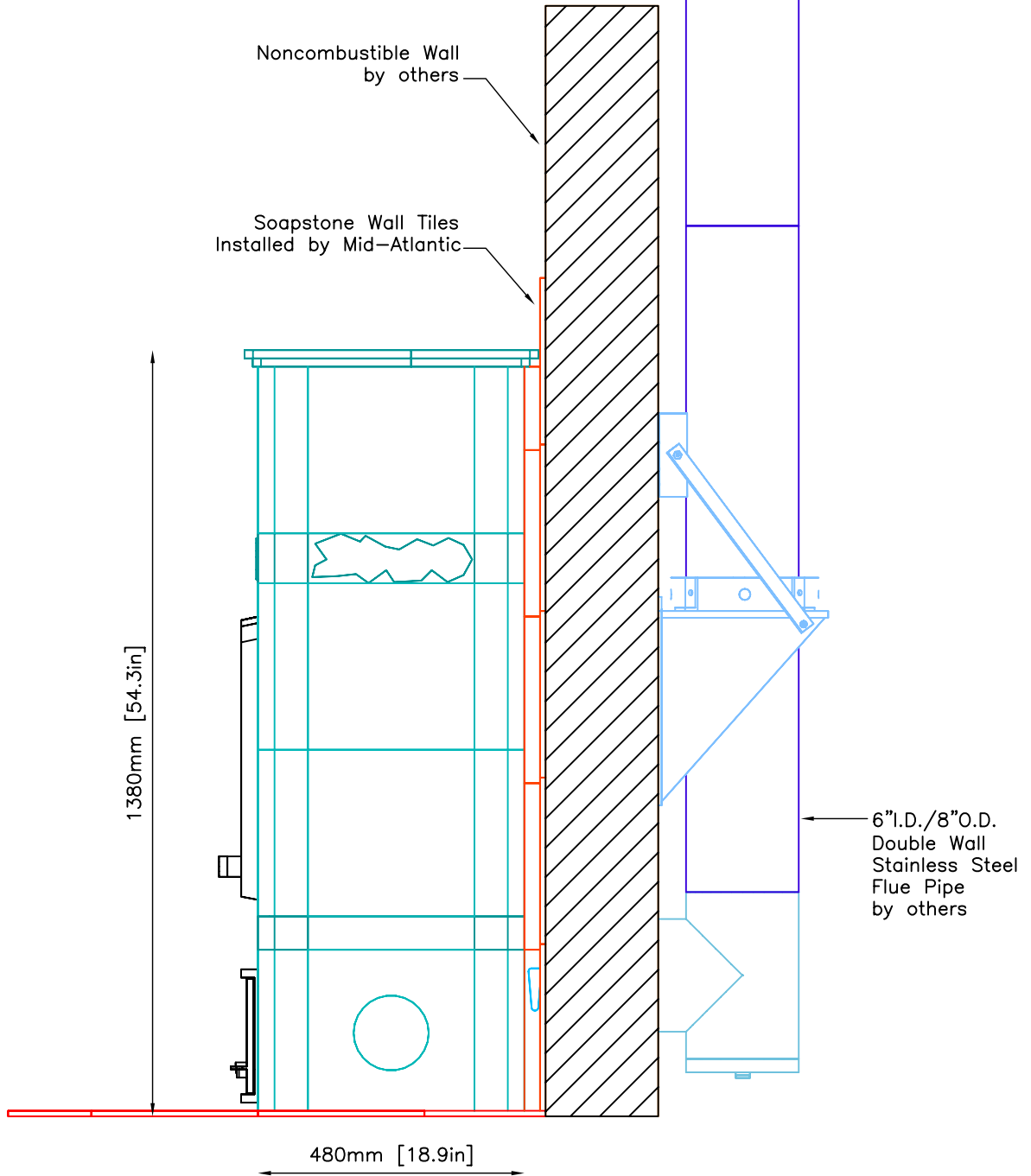
FRONT VIEW

**INFORMATION ONLY**



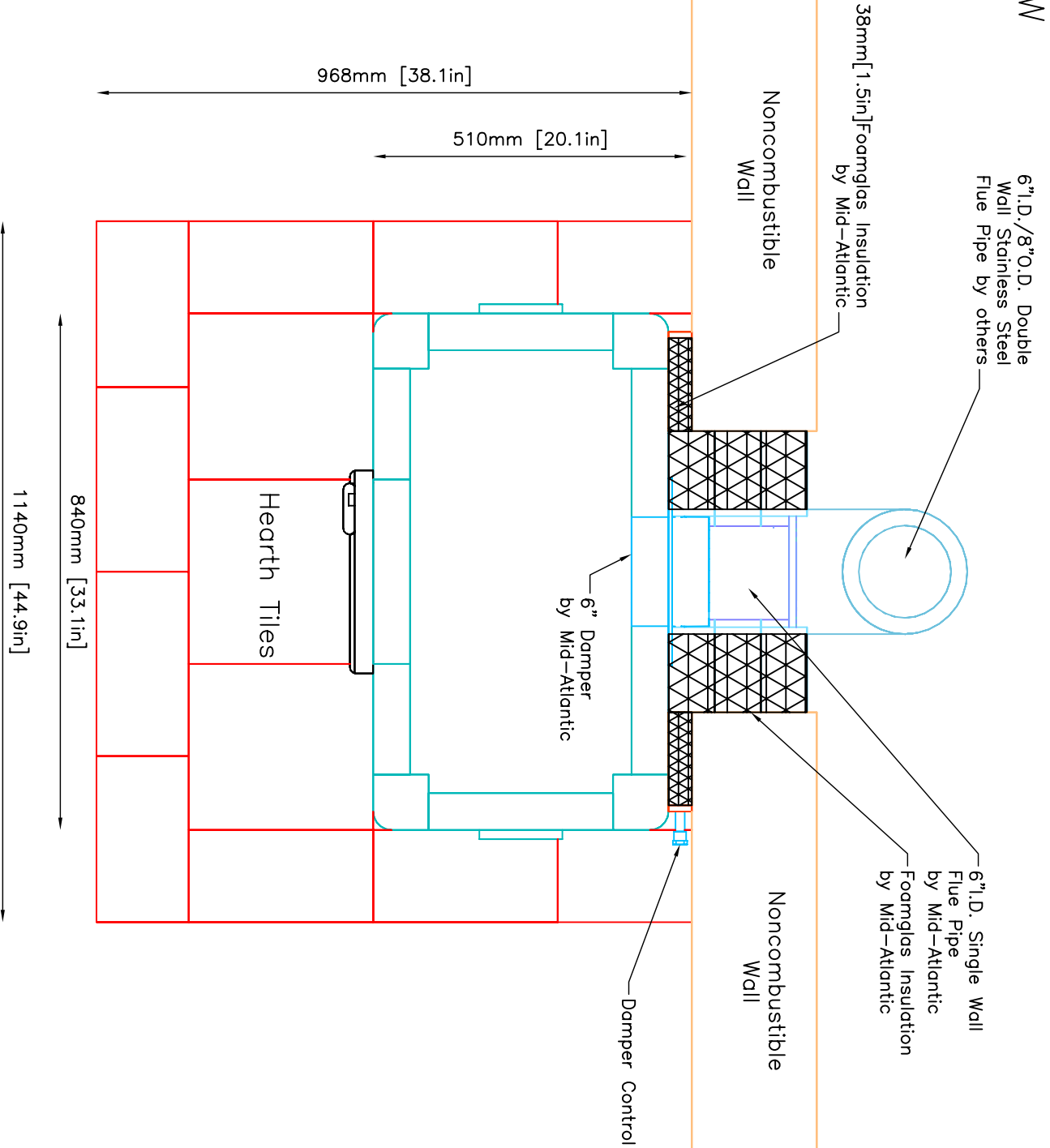
SIDE VIEW

**INFORMATION ONLY**



PLAN VIEW

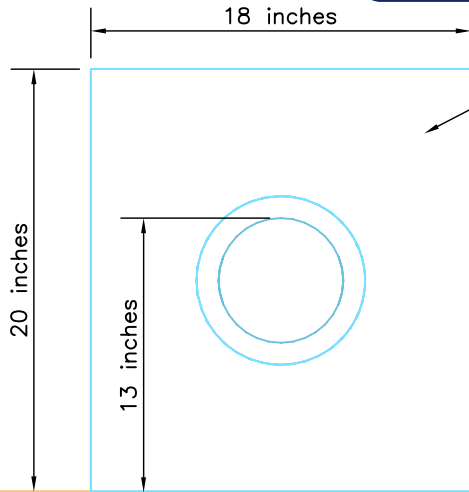
**INFORMATION ONLY**



NOTE: Hearth Tiles CUT AND INSTALLED by others

WALL ELEVATION

**INFORMATION ONLY**



Foamglas by Mid-Atlantic

**\*CRITICAL DIMENSION: 13"** from Foundation Slab (which is LEVEL & FLUSH with sub-floor) to TOP INSIDE flue pipe.

Thickness of Finished Floor—Maximum  $\frac{3}{4}$ ". If Finished Floor exceeds  $\frac{3}{4}$ " Thickness Mid-Atlantic MUST be contacted for revised specifications.

Sub-Floor Line

Notes:

18"x20" Opening MUST be in Place Prior to Installation.  
 UL Listed – Minimum Foamglas Insulation 4" on sides & 6" on top of Flue Pipe.

Chimney Placement

**\*CRITICAL DIMENSION: 13"** from Foundation Slab (which is LEVEL & FLUSH with sub-floor) to TOP INSIDE flue pipe.

Chimney: 6" I.D./8" O.D. Double Wall Stainless Steel Flue Pipe by others.

