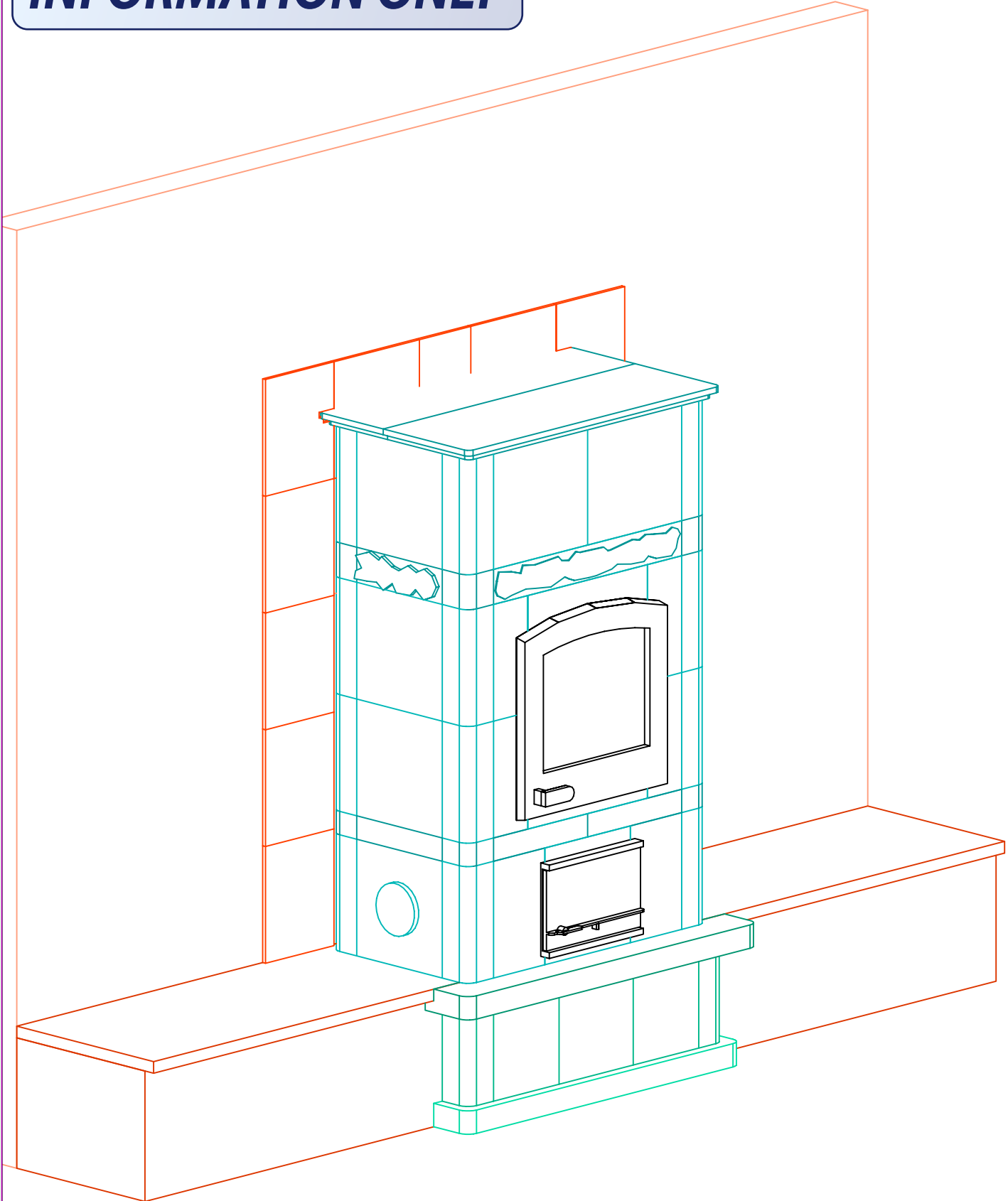


INFORMATION ONLY



NOTE: Wall Tiles CUT AND INSTALLED by others



MID-ATLANTIC MASONRY HEAT
1229 Harris Street Suite 1
Charlottesville, VA 22903
(434)979-9709 Fax 434-979-6416

PROJECT
SPEKMAN
MODEL
TU1000/6RFB

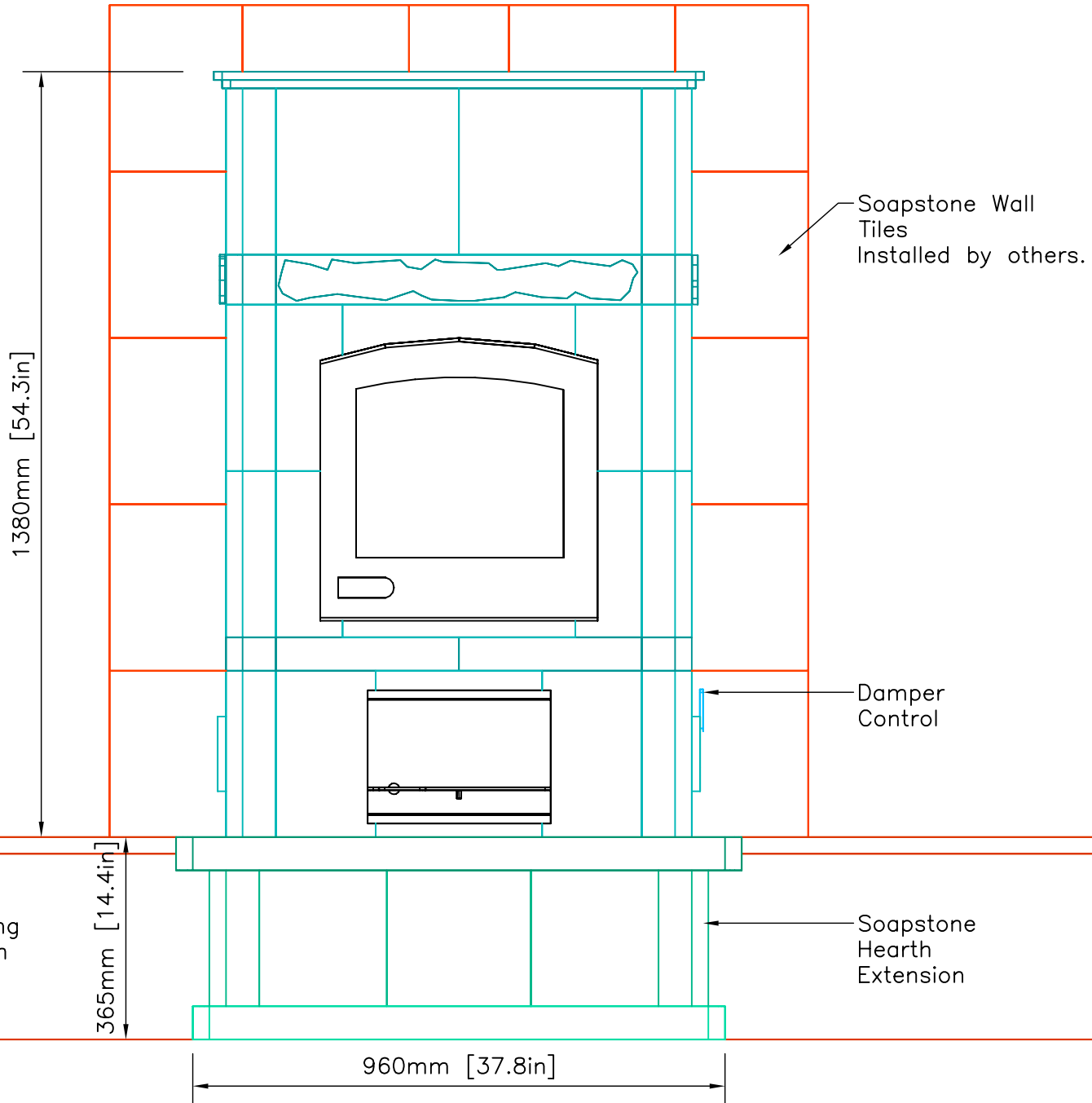
CONTRACT
DRAWN BY
D.P.BYRAM

VIEW
PERSPECTIVE
DATE
9/9/03

PAGE
1

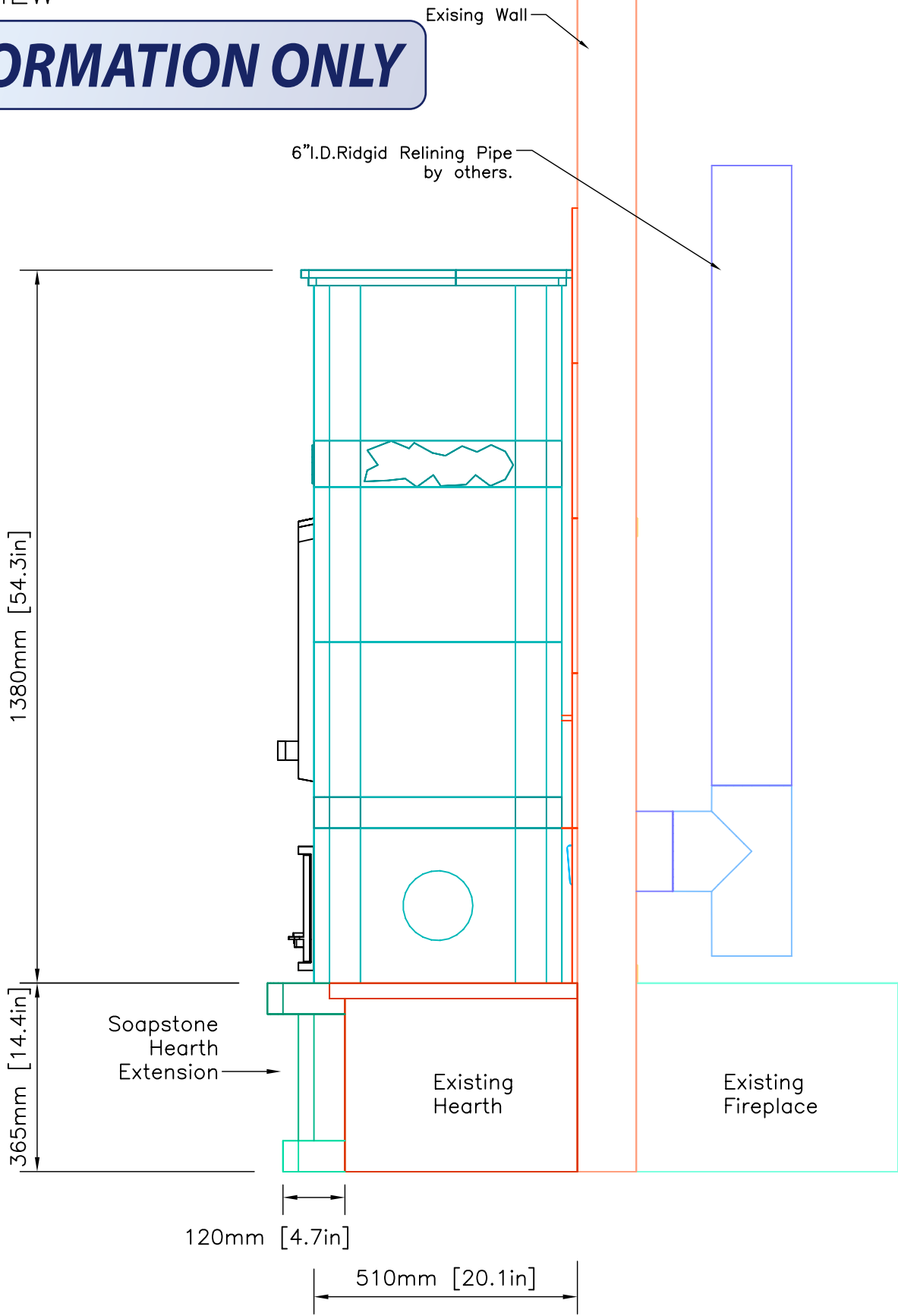
FRONT VIEW

INFORMATION ONLY

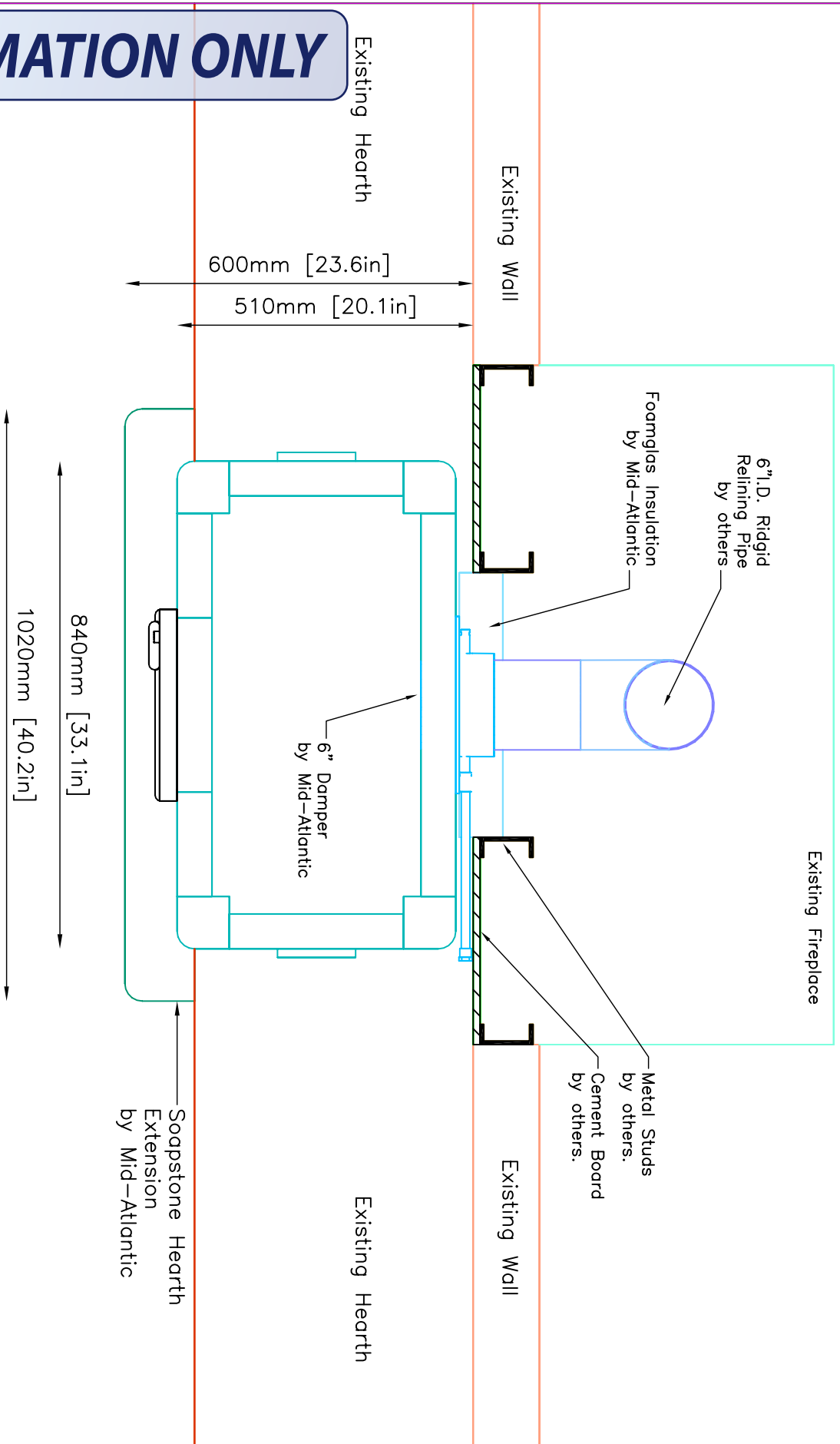


SIDE VIEW

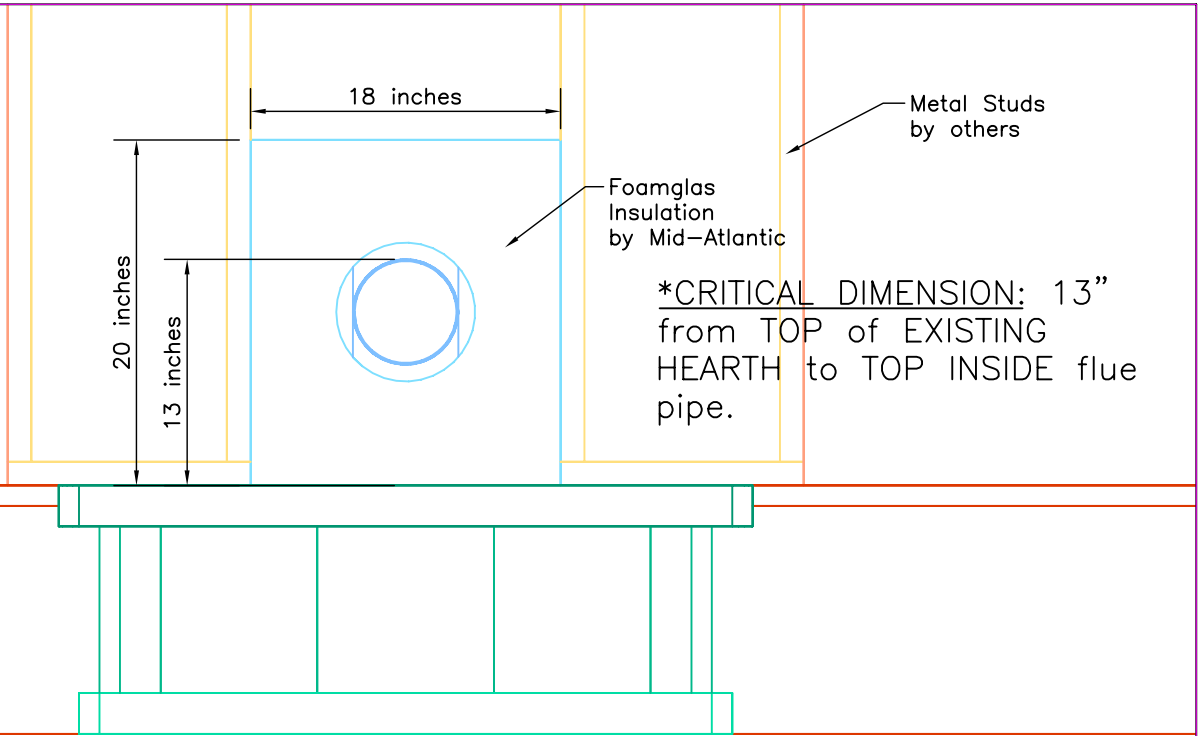
INFORMATION ONLY



INFORMATION ONLY



WALL ELEVATION



Notes:

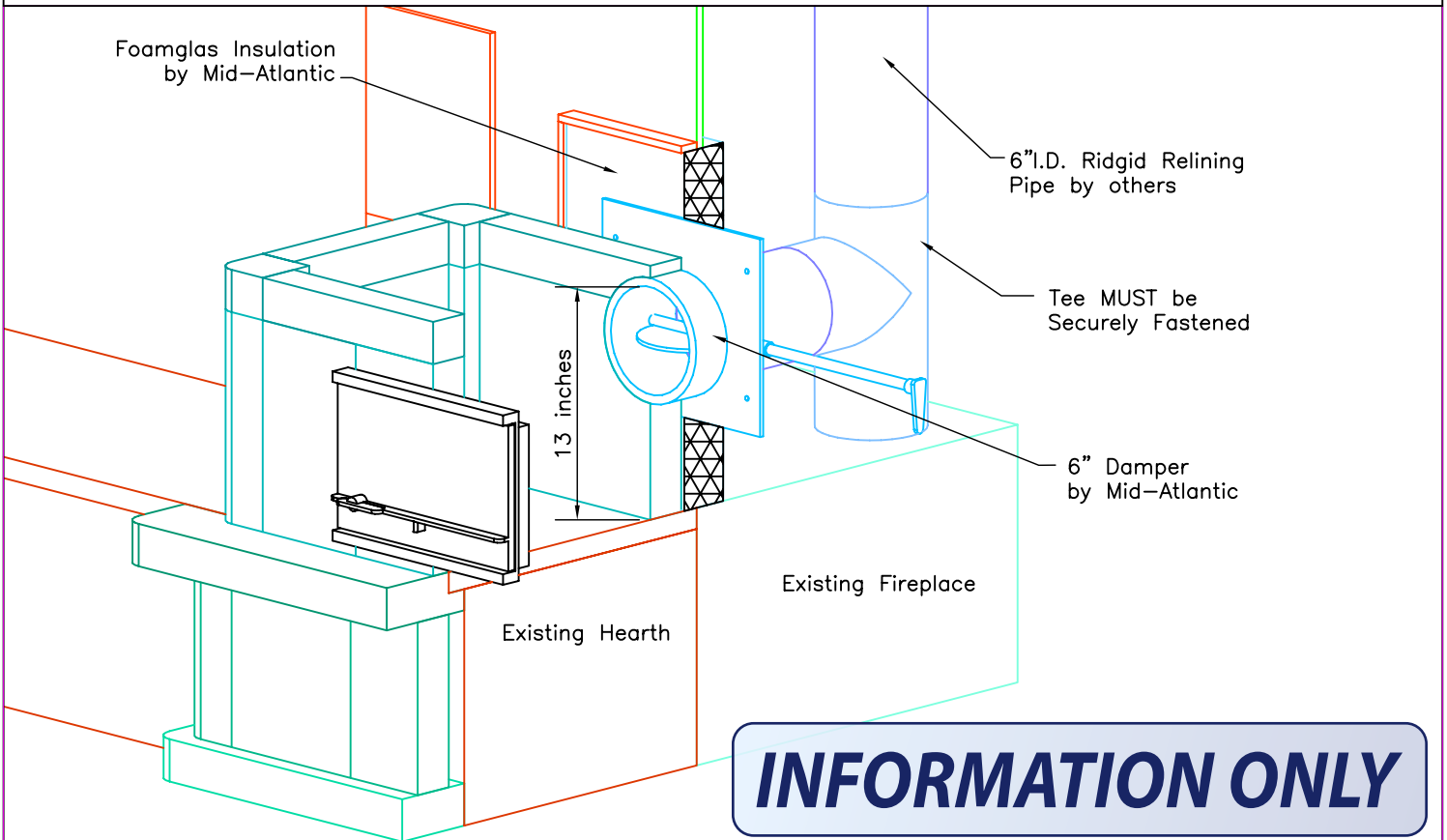
Metal Studs & Cement Board around 18"x20" Opening MUST be in Place Prior to Installation.

UL Listed – Minimum Foamglas Insulation 4" on sides & 6" on top of Flue Pipe.

Chimney Placement

*CRITICAL DIMENSION: 13" from TOP of EXISTING HEARTH to TOP INSIDE flue pipe.

Chimney: 6" I.D. Ridgid Relining Pipe by others.



INFORMATION ONLY