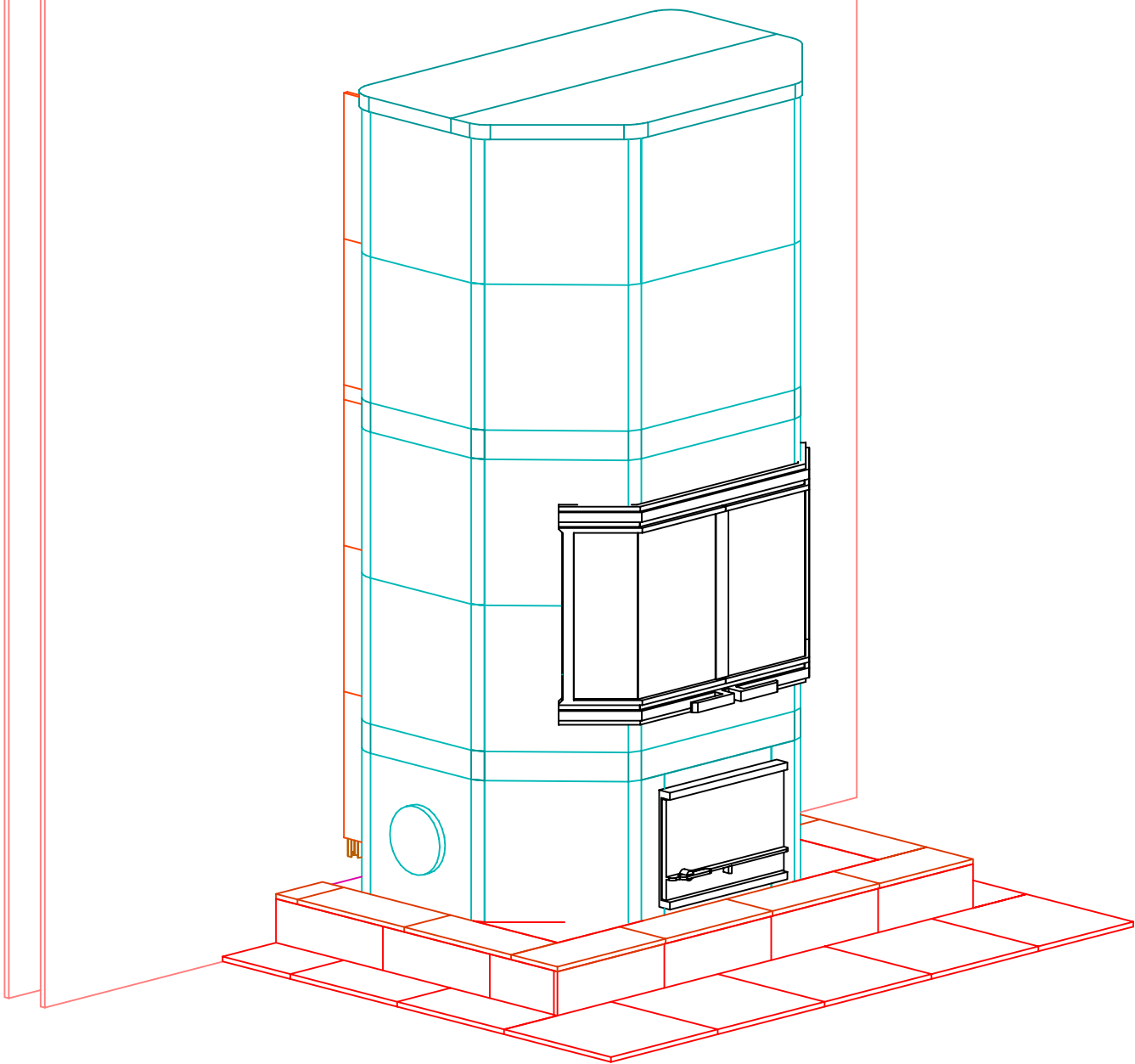


INFORMATION ONLY



NOTE: Hearth Tiles CUT AND INSTALLED by others



MID-ATLANTIC MASONRY HEAT
1229 Harris Street Suite 1
Charlottesville, VA 22903
(434)979-9709 Fax 434-979-6416

PROJECT SOLTAUR
MODEL TU1230

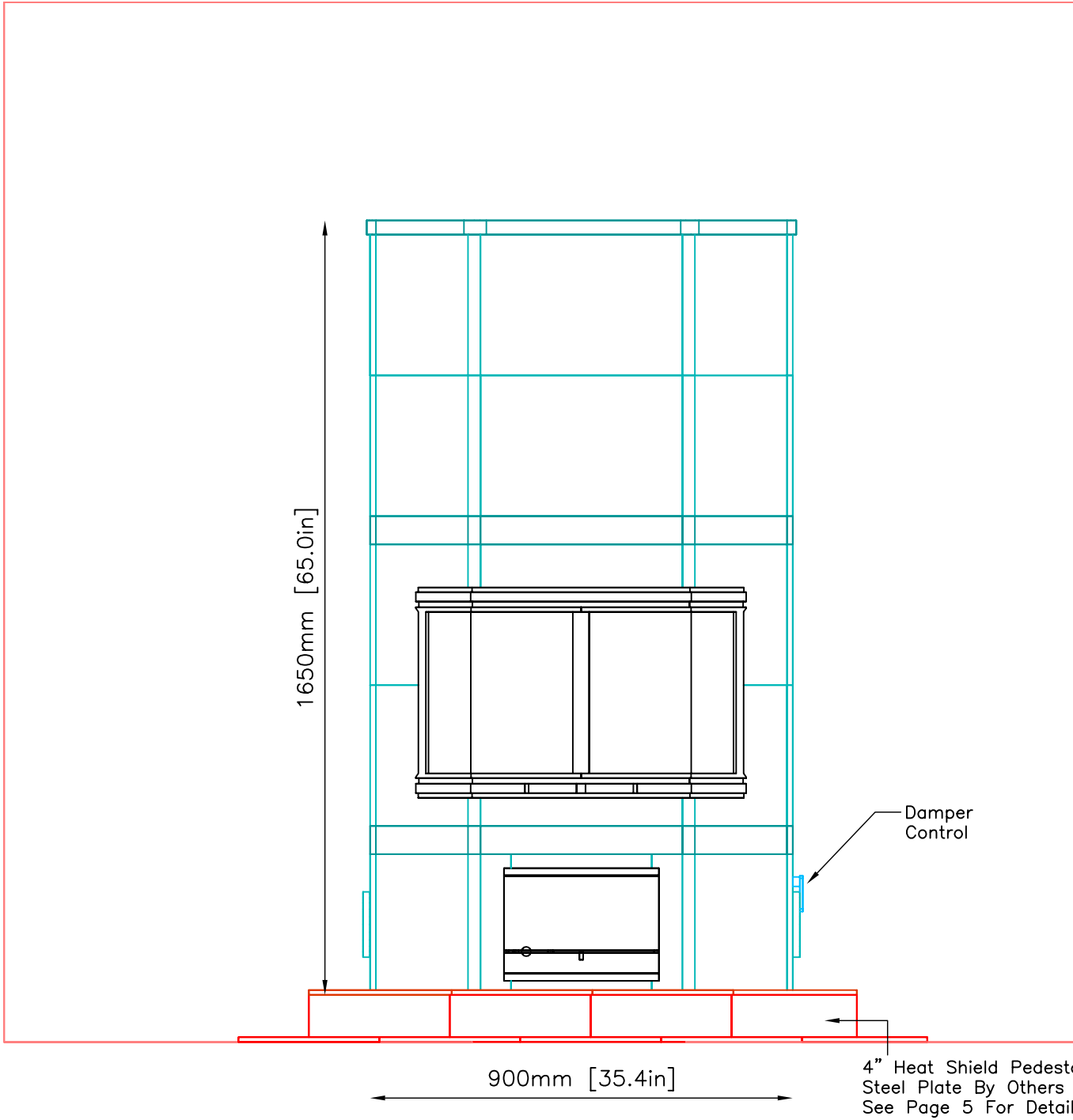
CONTRACT 5637
DRAWN BY T.A. LA BIER

VIEW PERSPECTIVE
DATE 04/02/04

PAGE 1

FRONT VIEW

INFORMATION ONLY



NOTE: Hearth Tiles CUT AND INSTALLED by others



MID-ATLANTIC MASONRY HEAT
1229 Harris Street Suite 1
Charlottesville, VA 22903
(434)979-9709 Fax 434-979-6416

PROJECT SOLTAUR
MODEL TU1230

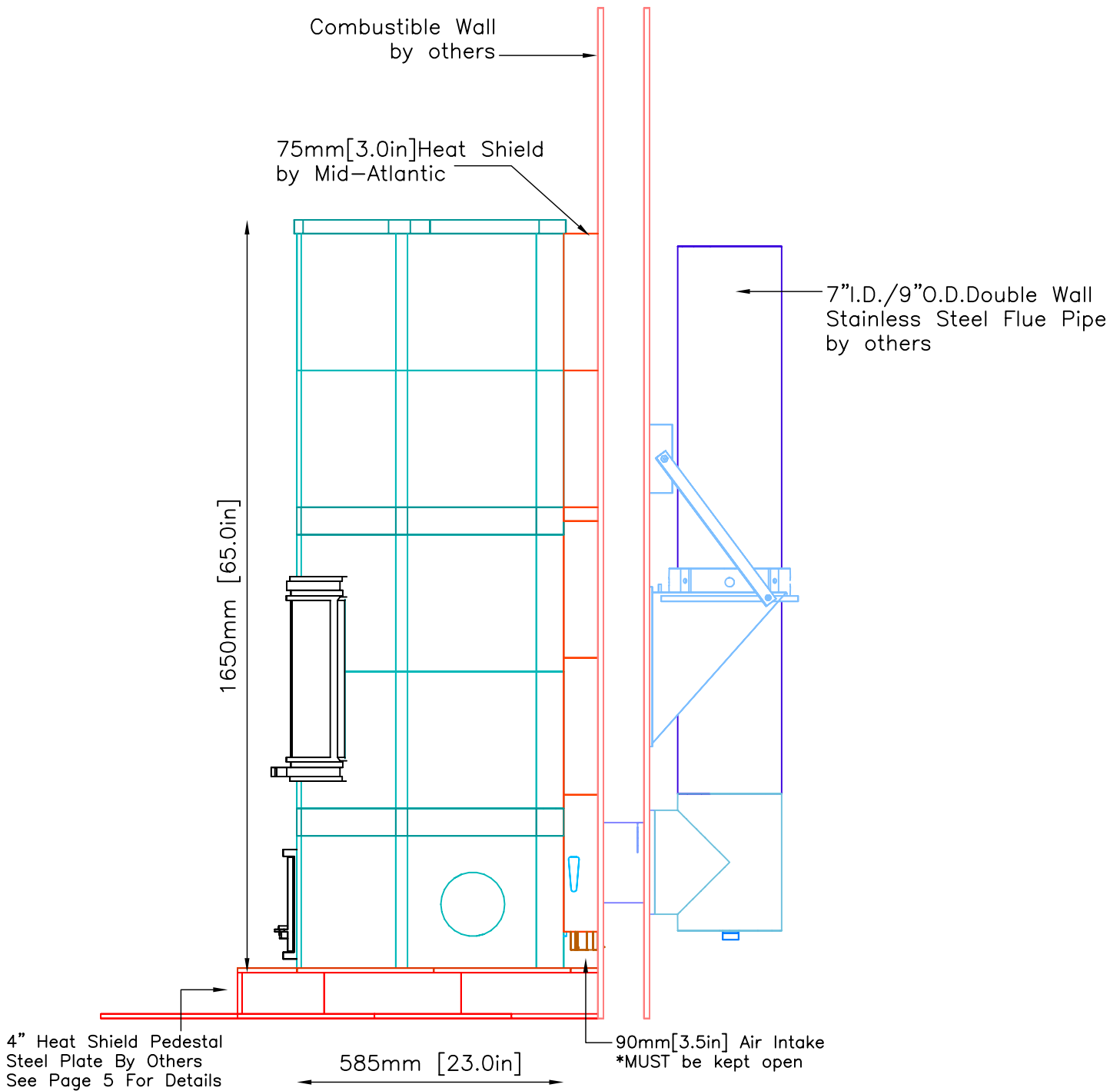
CONTRACT 5637
DRAWN BY T.A. LA BIER

VIEW FRONT
DATE 04/02/04

PAGE 2

SIDE VIEW

INFORMATION ONLY



NOTE: Hearth Tiles CUT AND INSTALLED by others



MID-ATLANTIC MASONRY HEAT
1229 Harris Street Suite 1
Charlottesville, VA 22903
(434)979-9709 Fax 434-979-6416

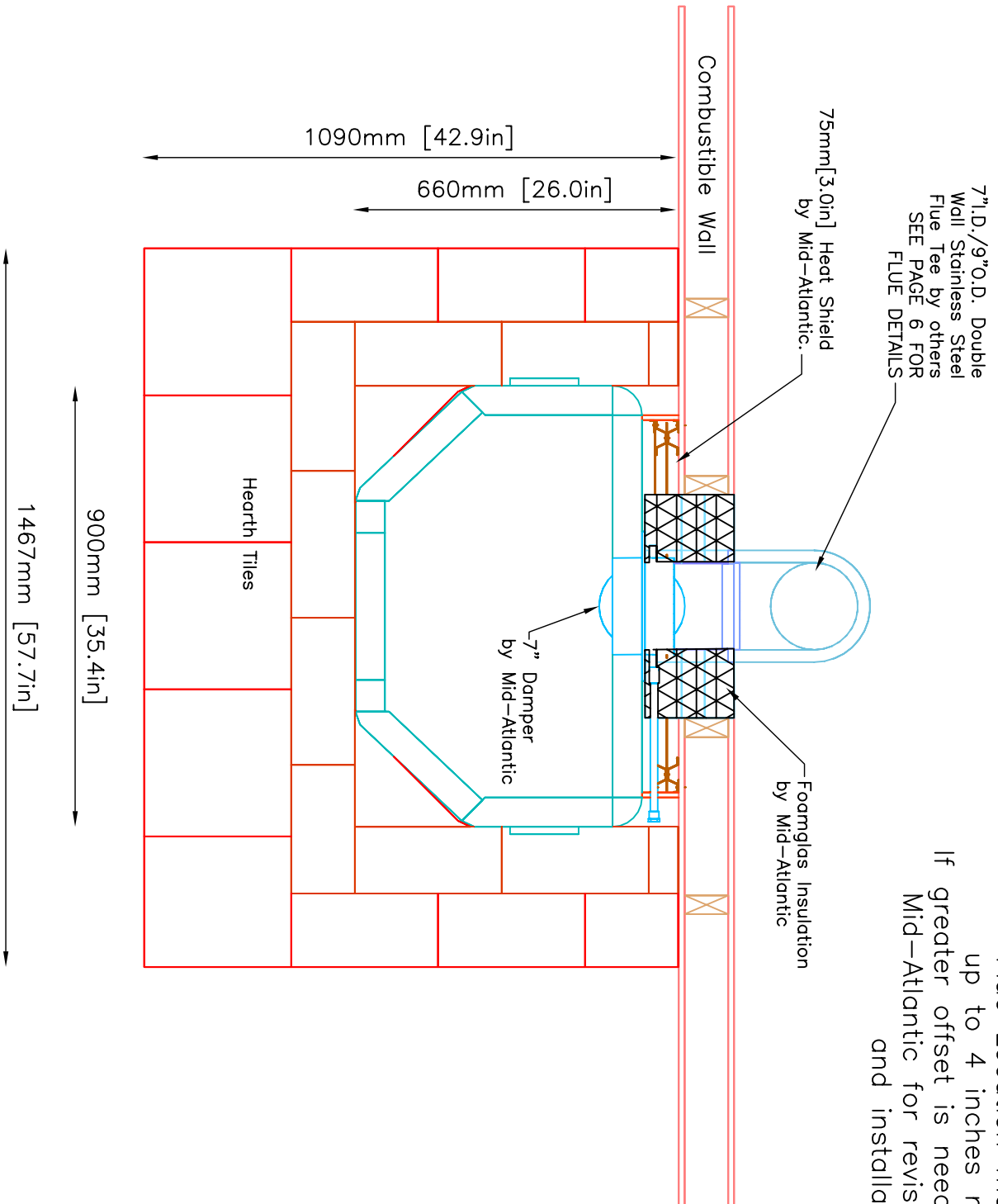
PROJECT SOLTAUR
MODEL TU1230

CONTRACT 5637
DRAWN BY T.A. LA BIER

VIEW SIDE
DATE 04/02/04

PAGE 3

INFORMATION ONLY



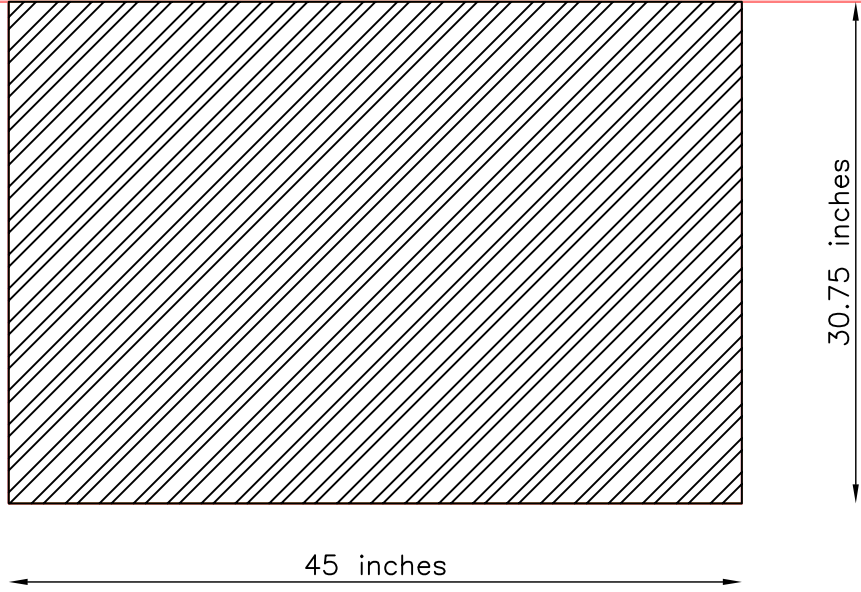
Flue Location may be offset up to 4 inches right or left. If greater offset is needed, contact Mid-Atlantic for revised drawings and installation pricing.

NOTE: Hearth Tiles CUT AND INSTALLED by others

HEAT SHIELD PEDESTAL
 3/4" STEEL PLATE-BY OTHERS

INFORMATION ONLY

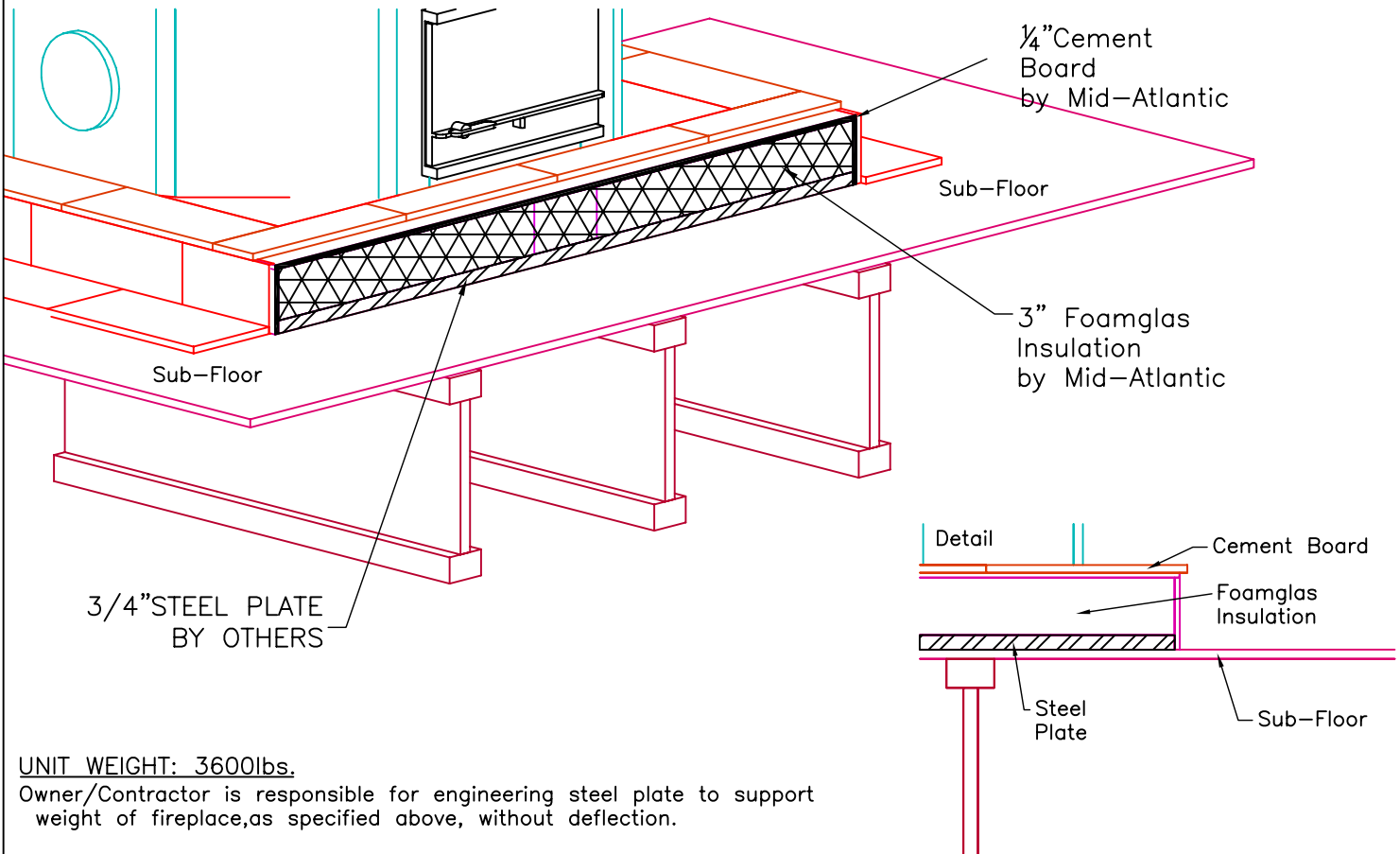
NOTE:
 STEEL PLATE TO BE LEVEL
 Tolerances:
 +/- 1/8" No additional cost to adjust steel plate
 +/- 1/4" \$150.00-\$200.00 additional cost to adjust steel plate
 +/- 1/2" \$500.00 additional cost to adjust steel plate



UNIT WEIGHT: 3600lbs.

Owner/Contractor is responsible for engineering steel plate to support weight of fireplace, as specified above, without deflection.

Note: Bottom of 3/4" Steel Plate can rest on sub-floor but MUST be Level.



UNIT WEIGHT: 3600lbs.

Owner/Contractor is responsible for engineering steel plate to support weight of fireplace, as specified above, without deflection.



MID-ATLANTIC MASONRY HEAT
 1229 Harris Street Suite 1
 Charlottesville, VA 22903
 (434)979-9709 Fax 434-979-6416

PROJECT SOLTAUR
 MODEL TU1230

CONTRACT 5637
 DRAWN BY T.A. LA BIER

VIEW SUPPORT
 DATE 04/02/04

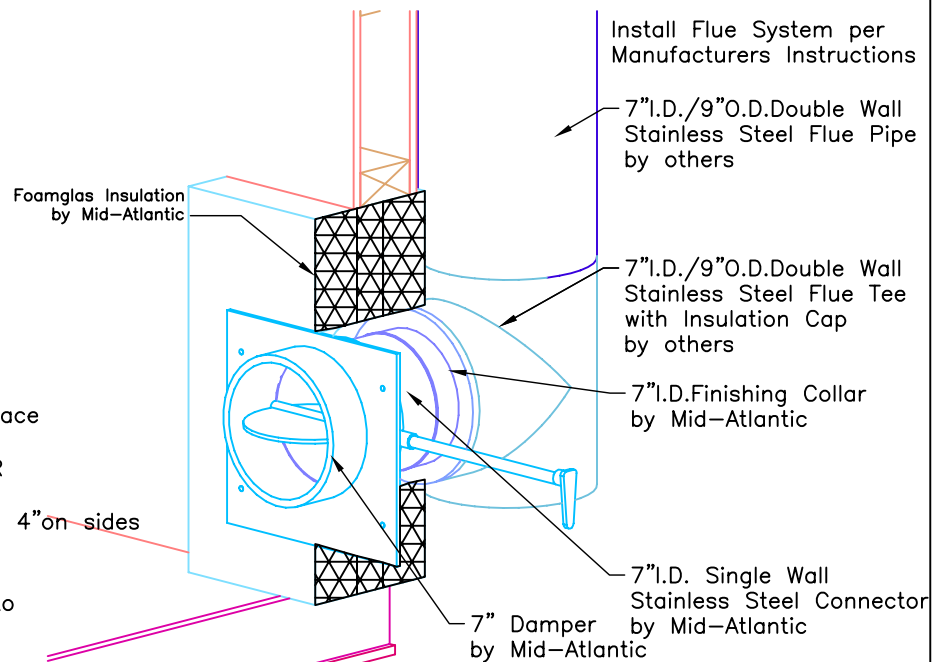
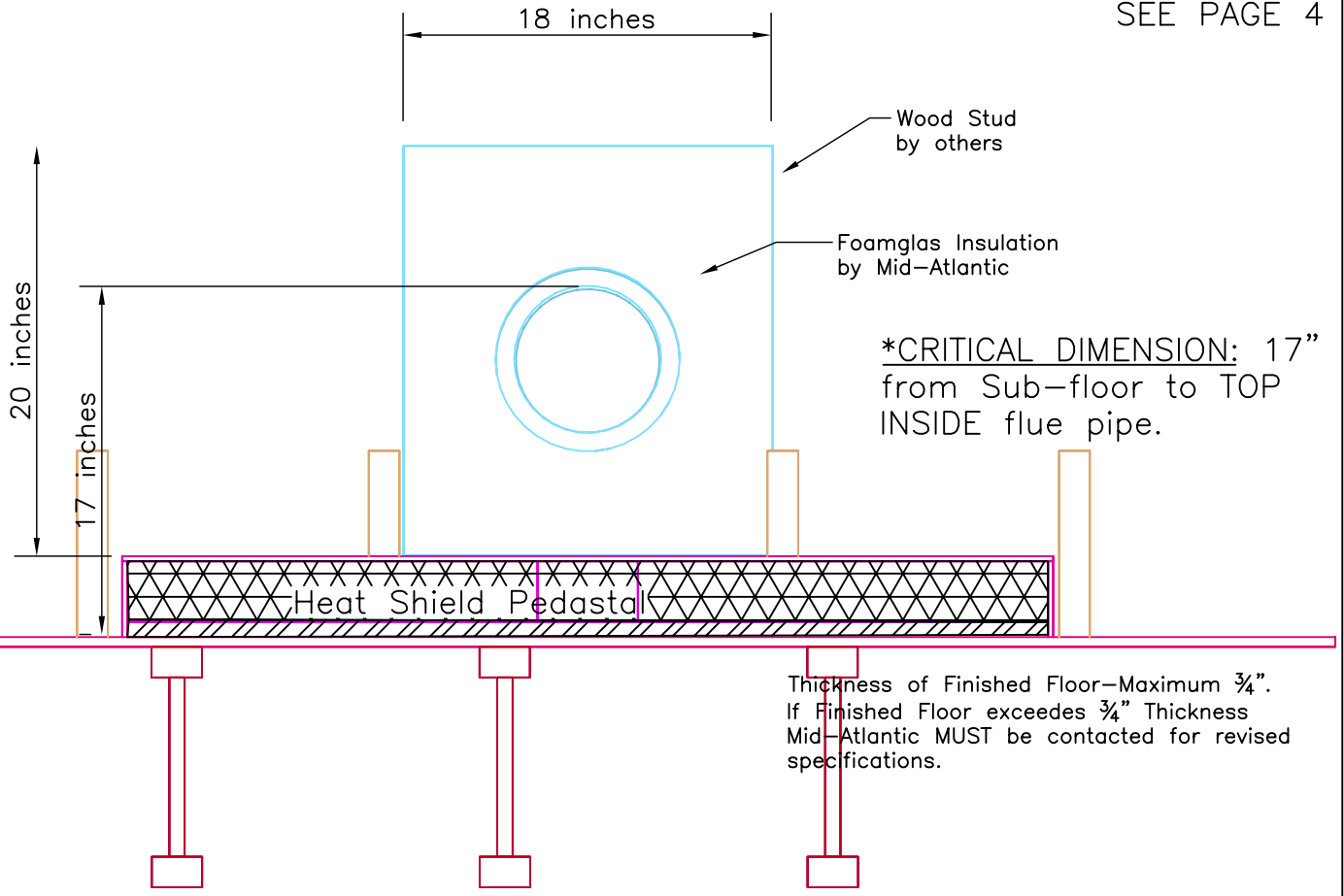
PAGE 5

WALL ELEVATION

INFORMATION ONLY

Combustible
Wall by others.

Flue Location may be offset
up to 4 inches right or left
of center of fireplace.
If greater offset is needed, contact
Mid-Atlantic for revised drawings
and installation pricing.
SEE PAGE 4



Notes:

- Sheetrock behind Fireplace MUST be in place PRIOR to Installation.
- 18"X20" Opening MUST be in place PRIOR to Installation.
- UL Listed — Minimum Foamglas Insulation 4" on sides & 6" on top of Flue Pipe.

Chimney Placement

***CRITICAL DIMENSION: 17"** from Subfloor to TOP INSIDE flue pipe.



MID-ATLANTIC MASONRY HEAT
1229 Harris Street Suite 1
Charlottesville, VA 22903
(434)979-9709 Fax 434-979-6416

PROJECT SOLTAUR
MODEL TU1230

CONTRACT 5637
DRAWN BY T.A. LA BIER

VIEW Wall Elevation
DATE 04/02/04

PAGE 6