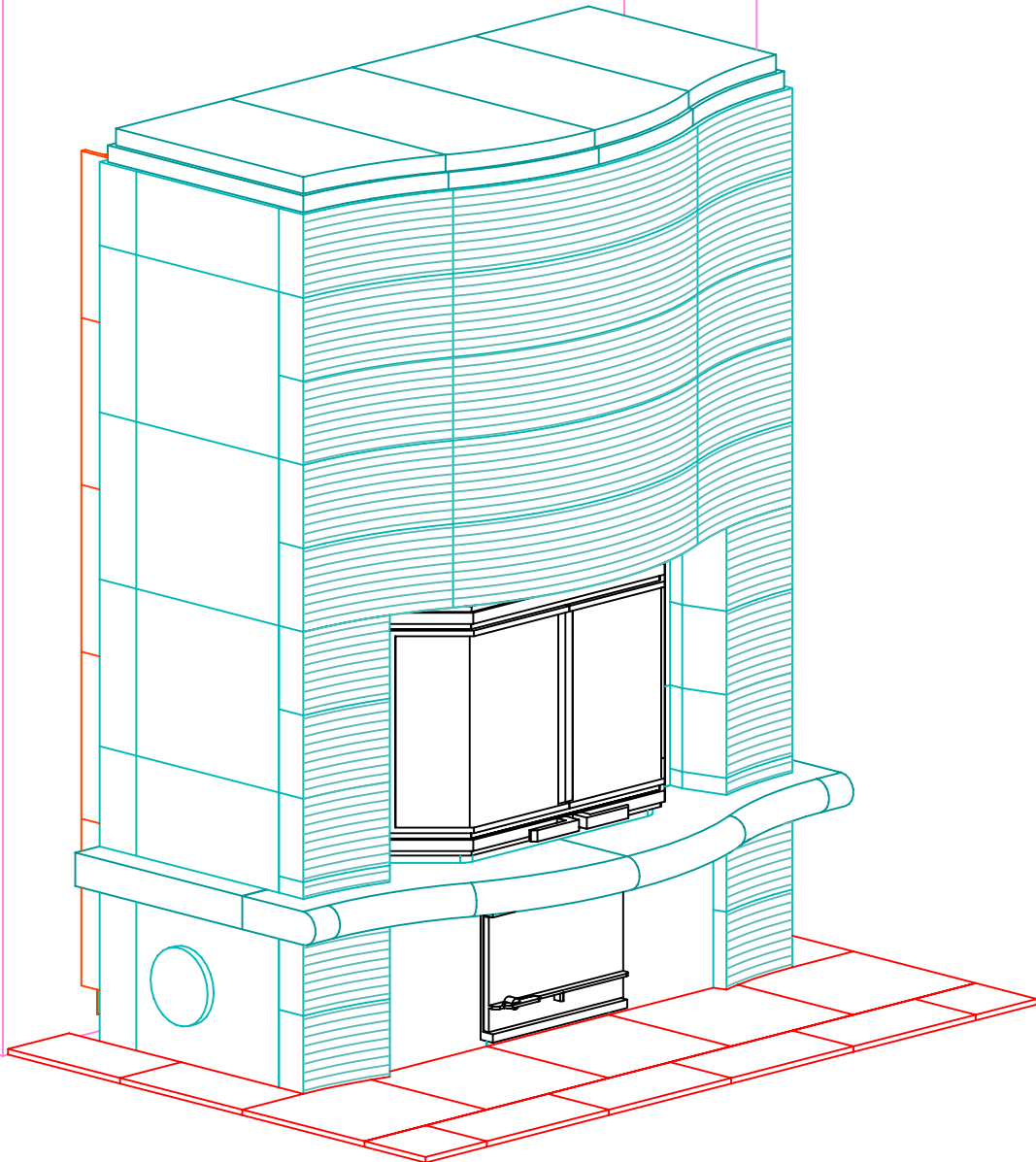


# INFORMATION ONLY



NOTE: Hearth Tiles CUT AND INSTALLED by others



MID-ATLANTIC MASONRY HEAT  
 1229 Harris Street Suite 1  
 Charlottesville, VA 22903  
 (434)979-9709 Fax 434-979-6416

PROJECT STOREY  
 MODEL TU2332/1

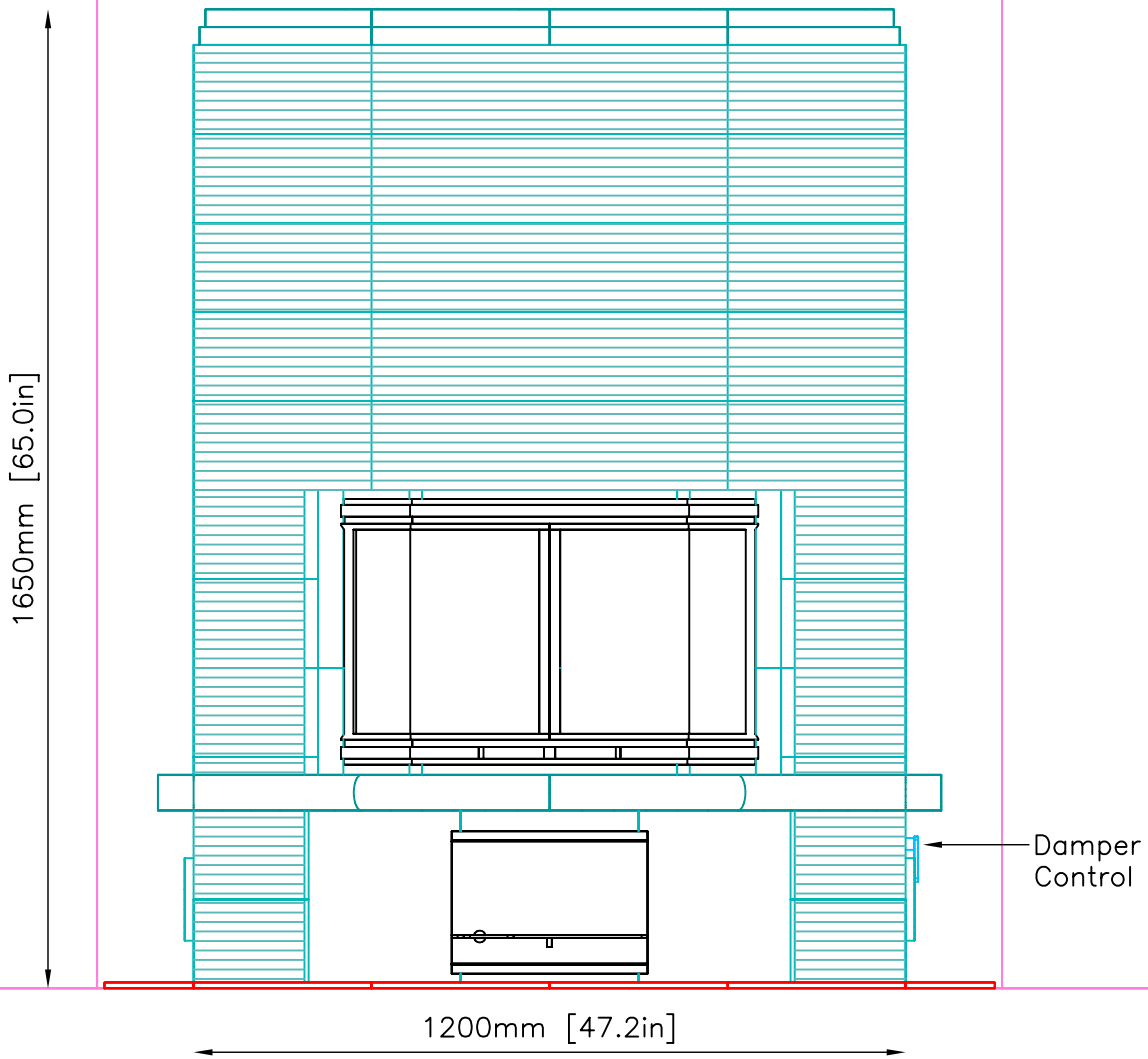
CONTRACT 5652  
 DRAWN BY D.P.BYRAM

VIEW PERSPECTIVE  
 DATE 5/10/04

PAGE 1

FRONT VIEW

**INFORMATION ONLY**



NOTE: Hearth Tiles CUT AND INSTALLED by others



MID-ATLANTIC MASONRY HEAT  
1229 Harris Street Suite 1  
Charlottesville, VA 22903  
(434)979-9709 Fax 434-979-6416

PROJECT STOREY  
MODEL TU2332/1

CONTRACT 5652  
DRAWN BY D.P.BYRAM

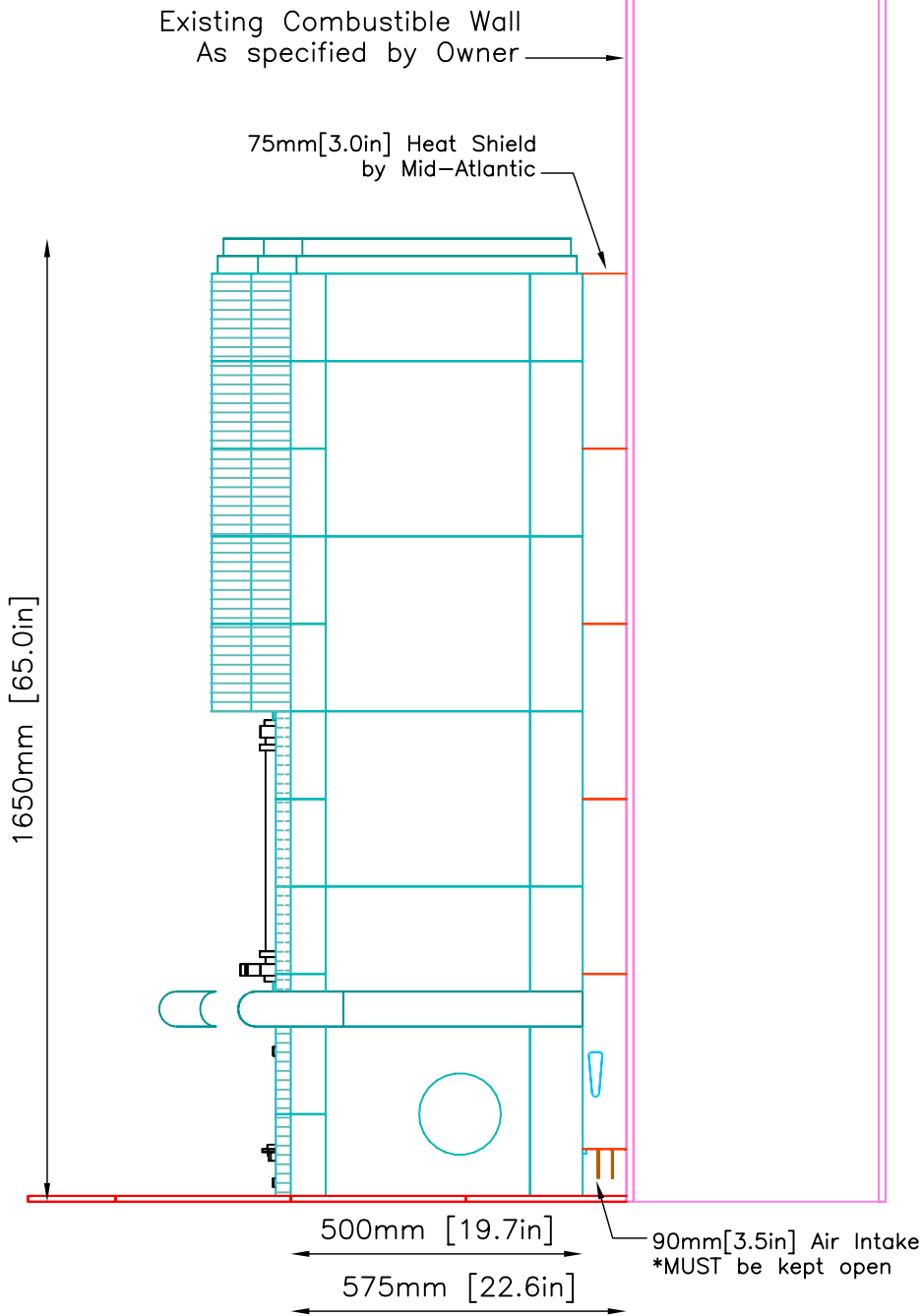
VIEW FRONT  
DATE 5/10/04

PAGE

2

SIDE VIEW

**INFORMATION ONLY**



NOTE: Hearth Tiles CUT AND INSTALLED by others



MID-ATLANTIC MASONRY HEAT  
1229 Harris Street Suite 1  
Charlottesville, VA 22903  
(434)979-9709 Fax 434-979-6416

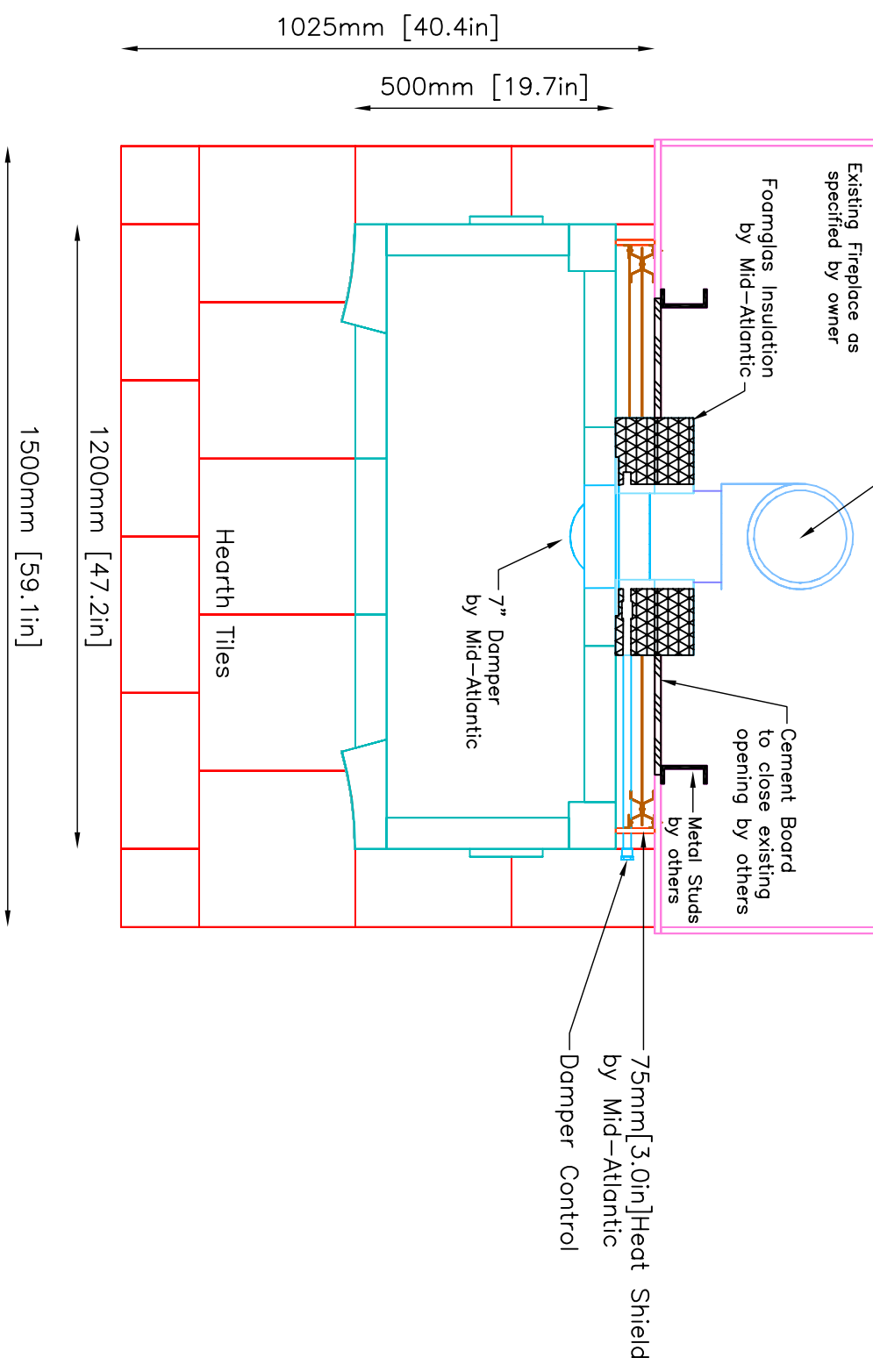
PROJECT STOREY  
MODEL TU2332/1

CONTRACT 5652  
DRAWN BY D.P.BYRAM

VIEW SIDE  
DATE 5/10/04

PAGE 3

# INFORMATION ONLY



7" I.D. Stainless Steel Relining Pipe by others  
Must be insulated.

Flue Location may be offset up to 4 inches right or left. If greater offset is needed, contact Mid-Atlantic for revised drawings and installation pricing. See page 5 for Details

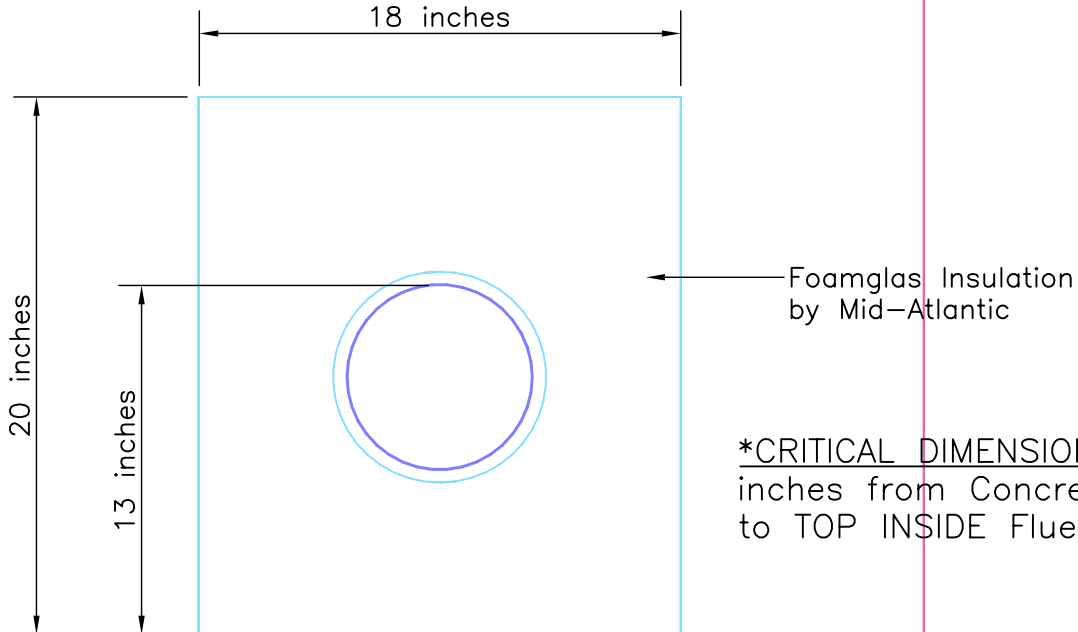
NOTE: Hearth Tiles CUT AND INSTALLED by others

	MID-ATLANTIC MASONRY HEAT 1229 Harris Street Suite 1 Charlottesville, VA 22903 (434)979-9709 Fax 434-979-6416	PROJECT	STOREY	CONTRACT	5652	VIEW	PLAN	PAGE 4
		MODEL	TU2332/1	DRAWN BY	D.P.BYRAM	DATE	5/10/04	

WALL ELEVATION

**INFORMATION ONLY**

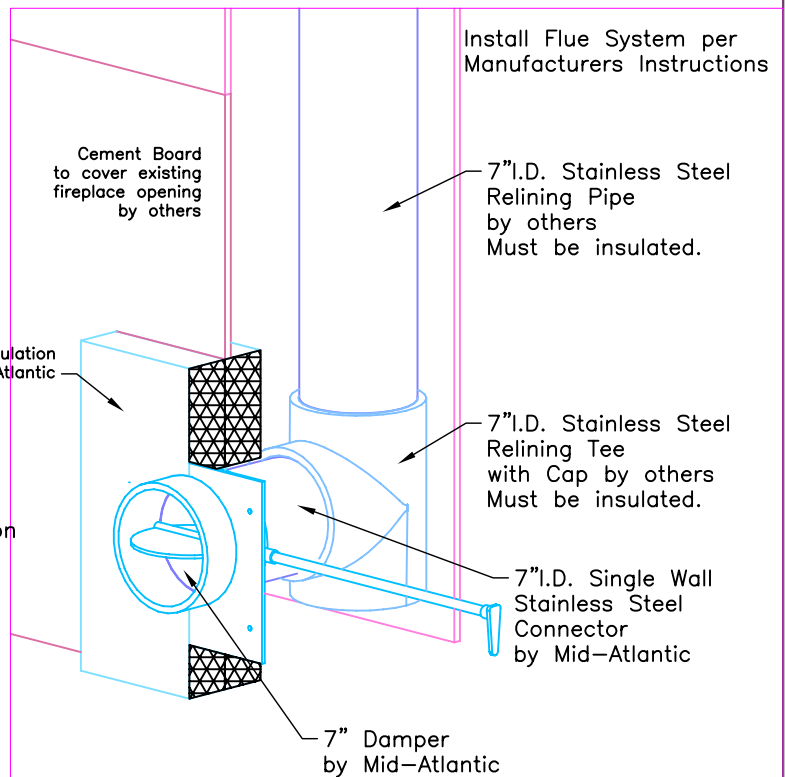
Flue Location may be offset up to 4 inches right or left of center of fireplace.  
If greater offset is needed, contact Mid-Atlantic for revised drawings and installation pricing.  
SEE PAGE 4



**\*CRITICAL DIMENSION:** 13 inches from Concrete Floor to TOP INSIDE Flue Pipe

Sub-Floor Line

Thickness of Finished Floor—Maximum  $\frac{3}{4}$ ".  
If Finished Floor exceeds  $\frac{3}{4}$ " Thickness Mid-Atlantic MUST be contacted for revised specifications.



**Notes:**  
Existing Opening MUST be covered PRIOR to installation  
18"X20" Opening MUST be in place PRIOR to Installation.  
UL Listed — Minimum Foamglas Insulation 4" on sides & 6" on top of Flue Pipe.  
Chimney Placement  
**\*CRITICAL DIMENSION:** 13 inches from Concrete Floor to TOP INSIDE Flue Pipe.