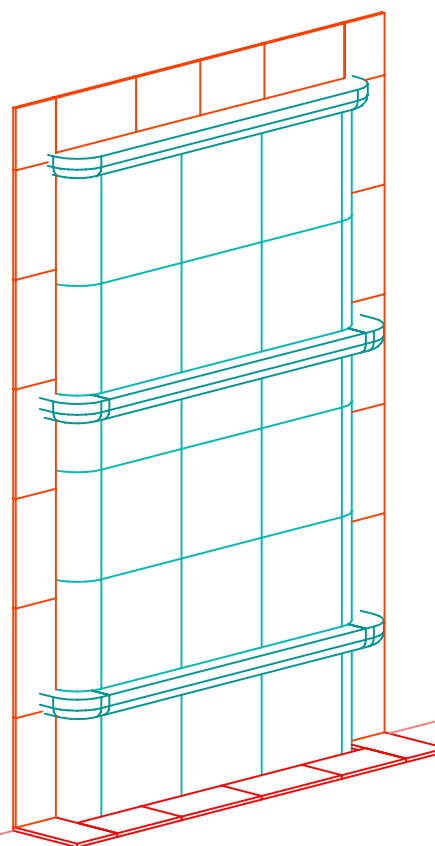
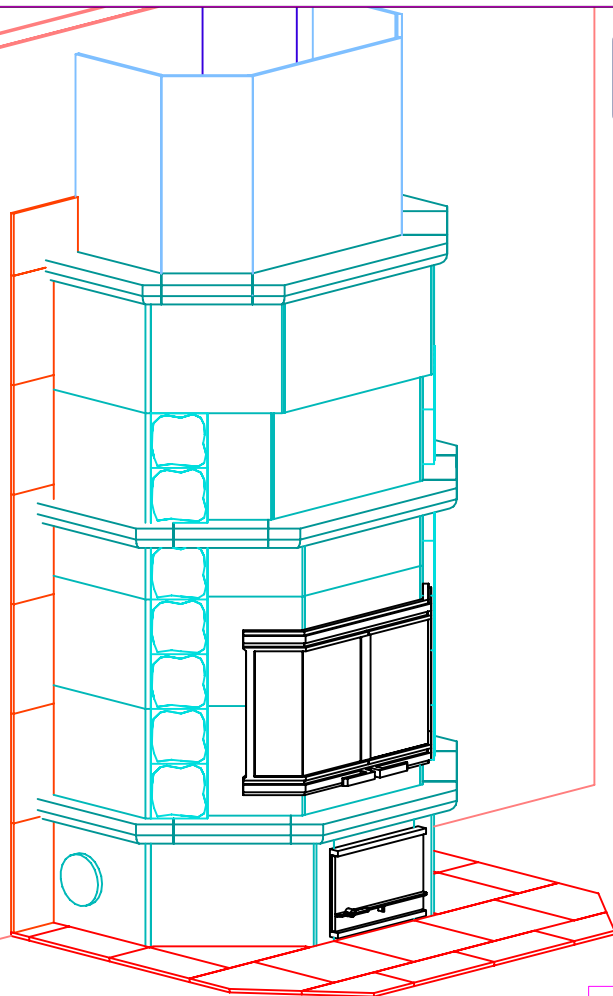


INFORMATION ONLY



NOTE: Hearth & Wall Tiles CUT AND INSTALLED by others



MID-ATLANTIC MASONRY HEAT
 1229 Harris Street Suite 1
 Charlottesville, VA 22903
 (434)979-9709 Fax 434-979-6416

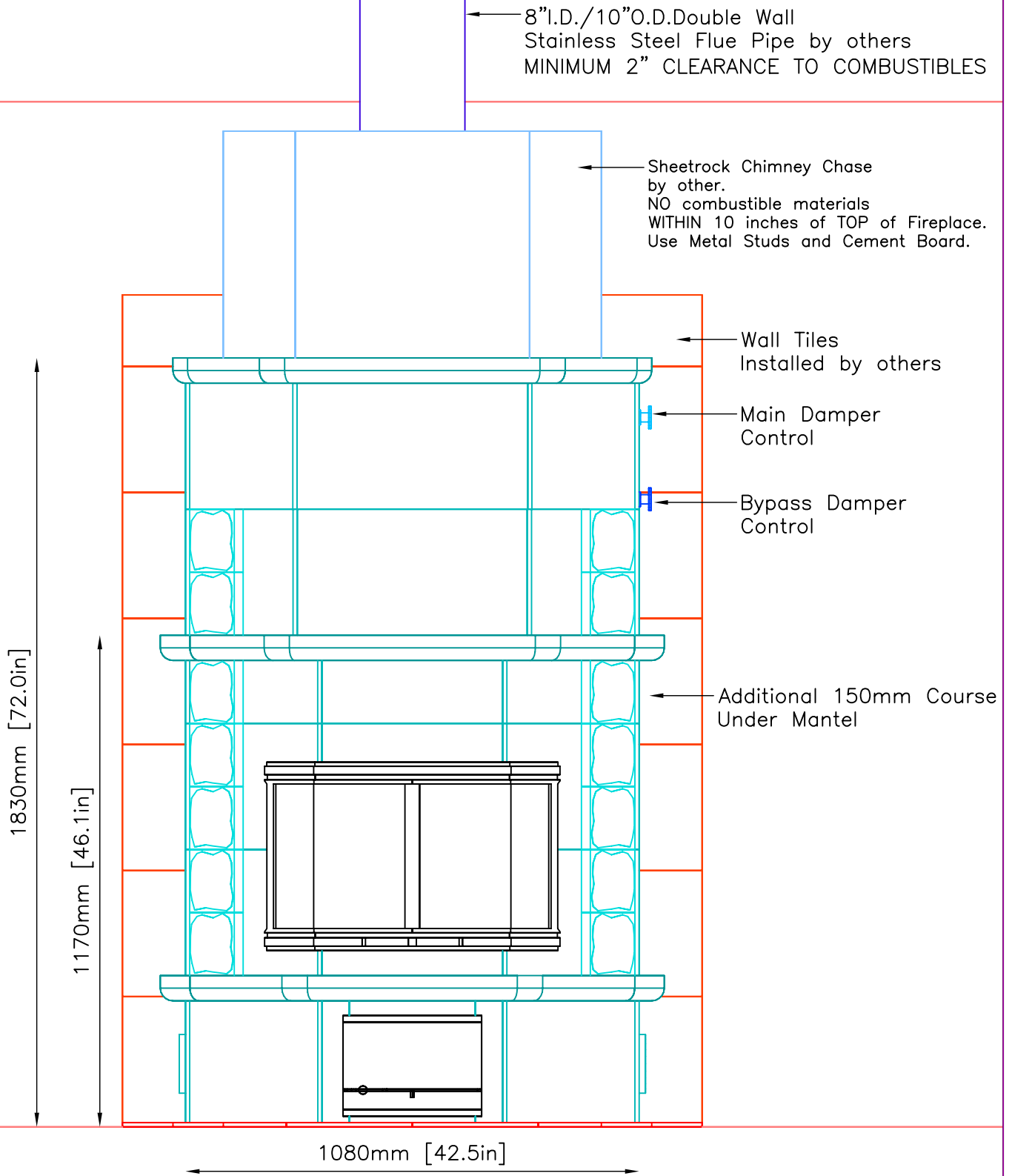
PROJECT
 CRIM
 MODEL
 TU2630/1

CONTRACT
 5657
 DRAWN BY
 D.P.BYRAM

VIEW
 PERSPECTIVE
 DATE
 6/29/04

PAGE
 1

FRONT VIEW



INFORMATION ONLY

NOTE: Hearth & Wall Tiles CUT AND INSTALLED by others



MID-ATLANTIC MASONRY HEAT
1229 Harris Street Suite 1
Charlottesville, VA 22903
(434)979-9709 Fax 434-979-6416

PROJECT CRIM
MODEL TU2630/1

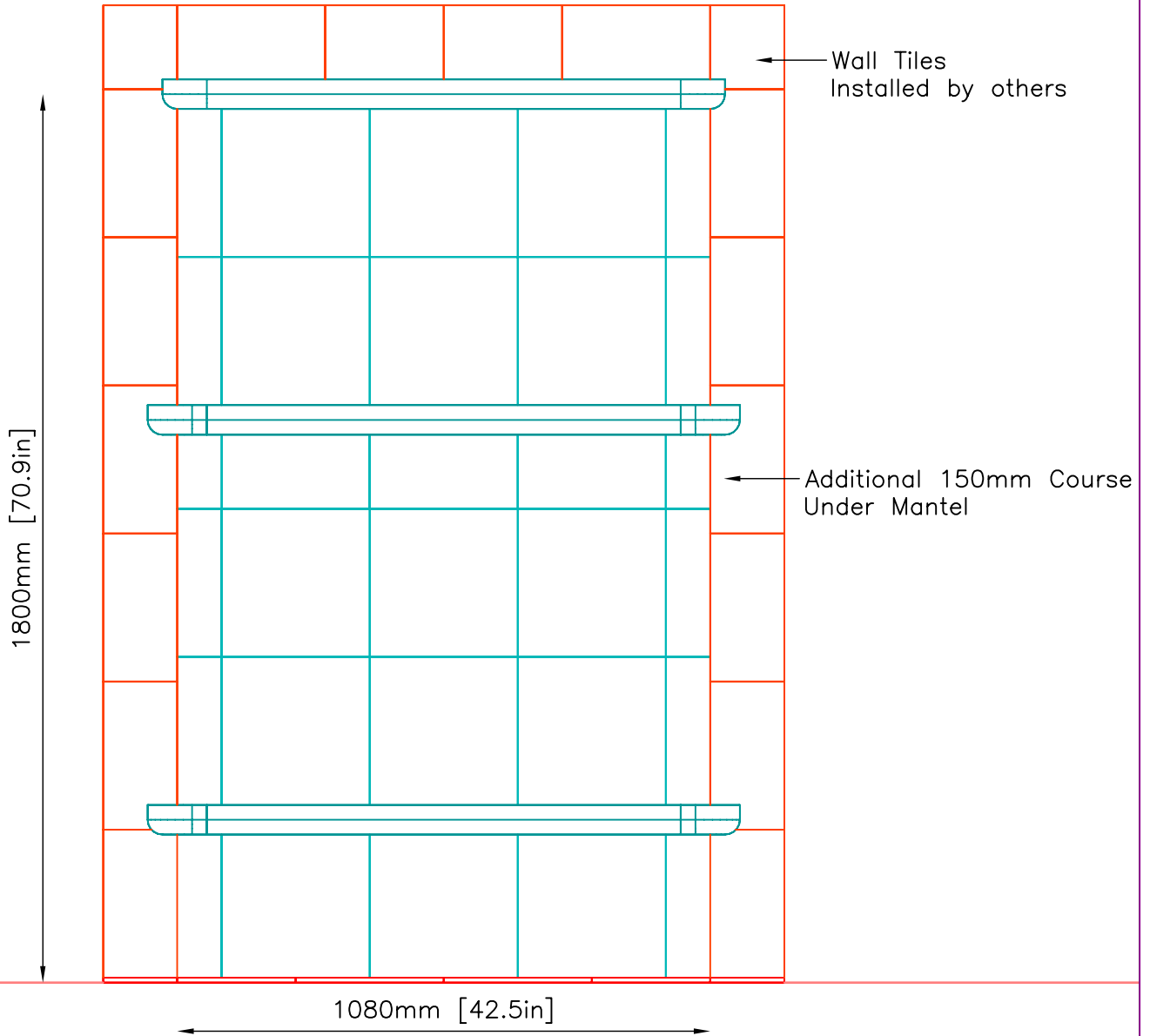
CONTRACT 5657
DRAWN BY D.P.BYRAM

VIEW FRONT
DATE 6/29/04

PAGE 2

BACK VIEW

INFORMATION ONLY



NOTE: Hearth & Wall Tiles CUT AND INSTALLED by others



MID-ATLANTIC MASONRY HEAT
1229 Harris Street Suite 1
Charlottesville, VA 22903
(434)979-9709 Fax 434-979-6416

PROJECT CRIM
MODEL TU2630/1

CONTRACT 5657
DRAWN BY D.P.BYRAM

VIEW BACK
DATE 6/29/04

PAGE 3

SIDE VIEW

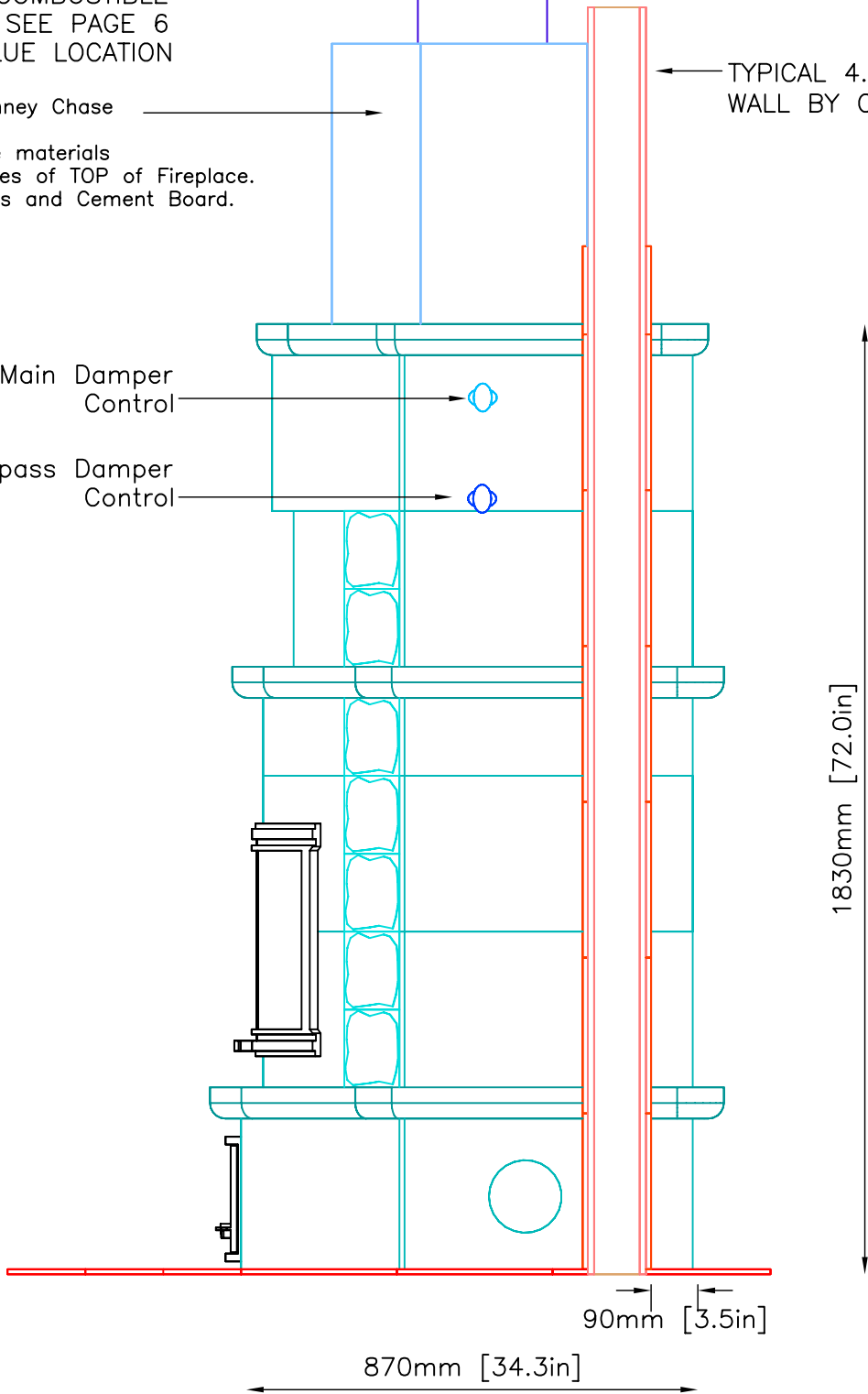
INFORMATION ONLY

8" I.D./10" O.D. Double Wall
Stainless Steel Flue Pipe
by others
MINIMUM 2" CLEARANCE
TO COMBUSTIBLE
SEE PAGE 6
FOR FLUE LOCATION

Sheetrock Chimney Chase
by other.
NO combustible materials
WITHIN 10 inches of TOP of Fireplace.
Use Metal Studs and Cement Board.

TYPICAL 4.5" COMBUSTIBLE
WALL BY OTHERS

Main Damper Control
Bypass Damper Control



NOTE: Hearth & Wall Tiles CUT AND INSTALLED by others



MID-ATLANTIC MASONRY HEAT
1229 Harris Street Suite 1
Charlottesville, VA 22903
(434)979-9709 Fax 434-979-6416

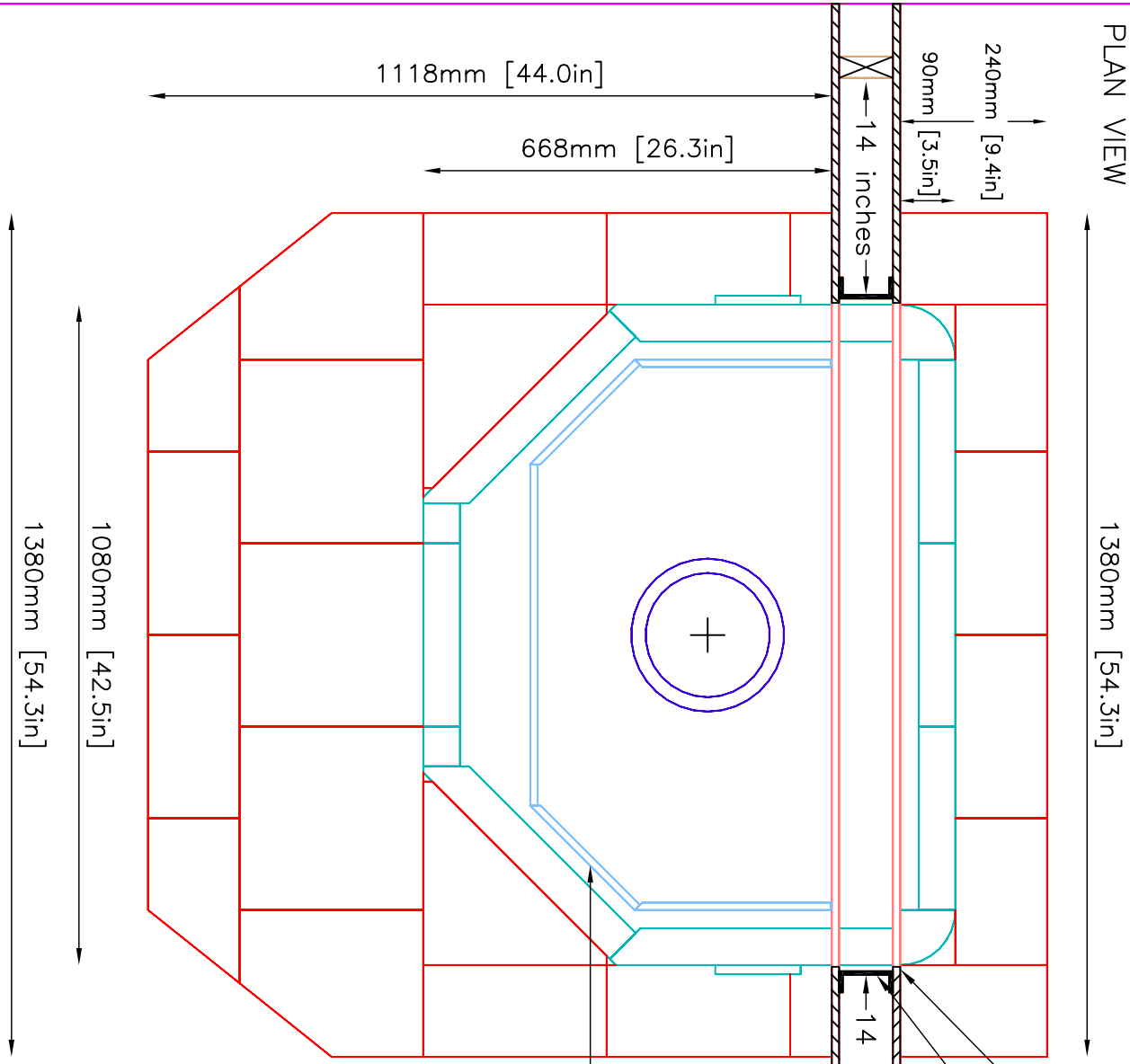
PROJECT CRIM
MODEL TU2630/1

CONTRACT 5657
DRAWN BY D.P.BYRAM

VIEW SIDE
DATE 6/29/04

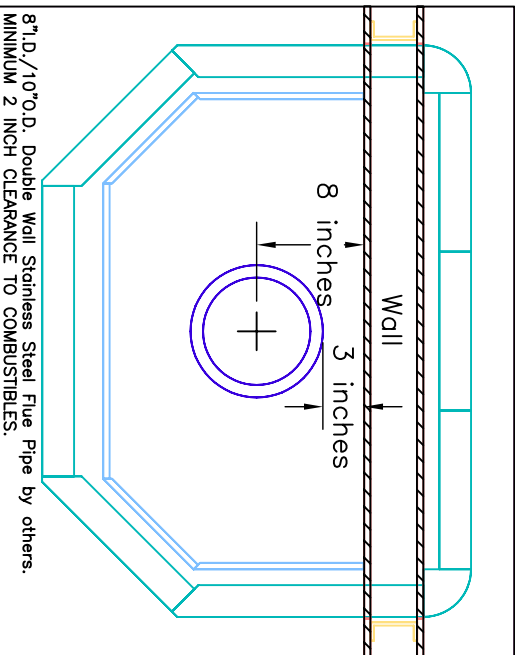
PAGE 4

PLAN VIEW



NOTE: Hearth & Wall Tiles CUT AND INSTALLED by others

Flue Location



8" I.D./10" O.D. Double Wall Stainless Steel Flue Pipe by others.
MINIMUM 2 INCH CLEARANCE TO COMBUSTIBLES.

INFORMATION ONLY

MINIMUM 1/8" Gap between Metal Studs, Cement Board and Fireplace

MINIMUM 14" From SIDES of Fireplace to combustibles. Use Metal Studs and Cement Board.

Sheetrock Chimney Chase by other. NO combustible materials WITHIN 10 inches of TOP of Fireplace. Use Metal Studs and Cement Board.

	MID-ATLANTIC MASONRY HEAT 1229 Harris Street Suite 1 Charlottesville, VA 22903 (434)979-9709 Fax 434-979-6416	PROJECT	CONTRACT	VIEW	PAGE
		CRIM	5657	PLAN	5
MODEL	DRAWN BY	DATE			
TU2630/1	D.P.BYRAM	6/29/04			