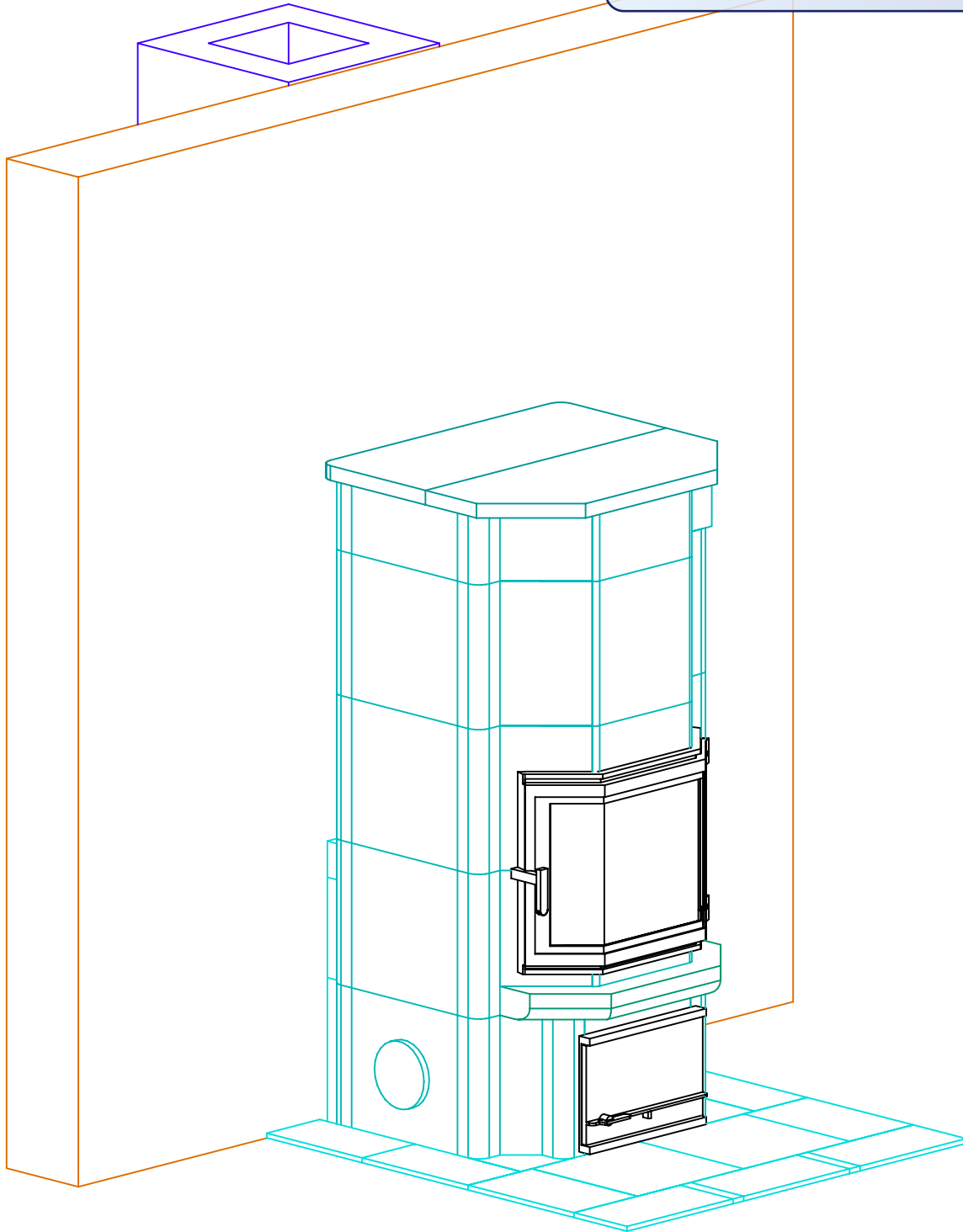


INFORMATION ONLY



REQUIRED:

Tulikivi's UL Listing requires minimum non-combustible hearth extension of 16" in front of the firebox door and 8" beyond either side of the firebox door.

Shown: Tulikivi Soapstone Tile. CUT AND INSTALLED by others

NOTE:

Tulikivi's UL Listing requires no combustibles within 14 inches from the SIDES of the Fireplace; 20 inches from the BACK of the Fireplace and 10 inches from the TOP of the Fireplace.



CHIMNEY WORKS MASONRY
1695 Log Run Road
Williamsport, PA 17701
(570)971-9330 Fax (570)494-1869

PROJECT KOLB
MODEL TU930

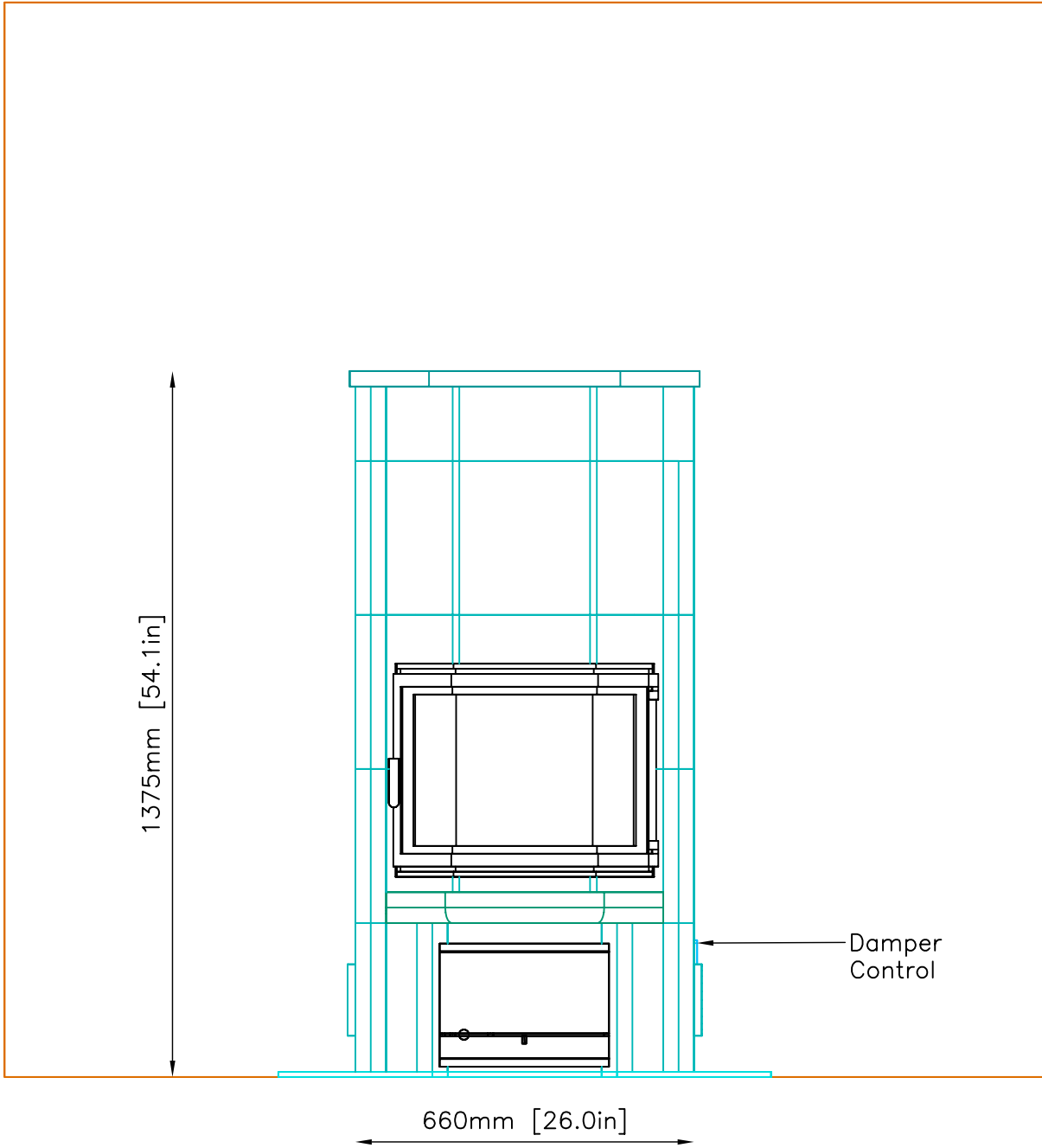
CONTRACT
DRAWN BY D.P.BYRAM

VIEW PERSPECTIVE
DATE 12/20/05

PAGE 1

FRONT VIEW

INFORMATION ONLY



REQUIRED:

Tulikivi's UL Listing requires minimum non-combustible hearth extension of 16" in front of the firebox door and 8" beyond either side of the firebox door.
Shown: Tulikivi Soapstone Tile. CUT AND INSTALLED by others

NOTE:

Tulikivi's UL Listing requires no combustibles within 14 inches from the SIDES of the Fireplace; 20 inches from the BACK of the Fireplace and 10 inches from the TOP of the Fireplace.



CHIMNEY WORKS MASONRY
1695 Log Run Road
Williamsport, PA 17701
(570)971-9330 Fax (570)494-1869

PROJECT KOLB
MODEL TU930

CONTRACT
DRAWN BY D.P.BYRAM

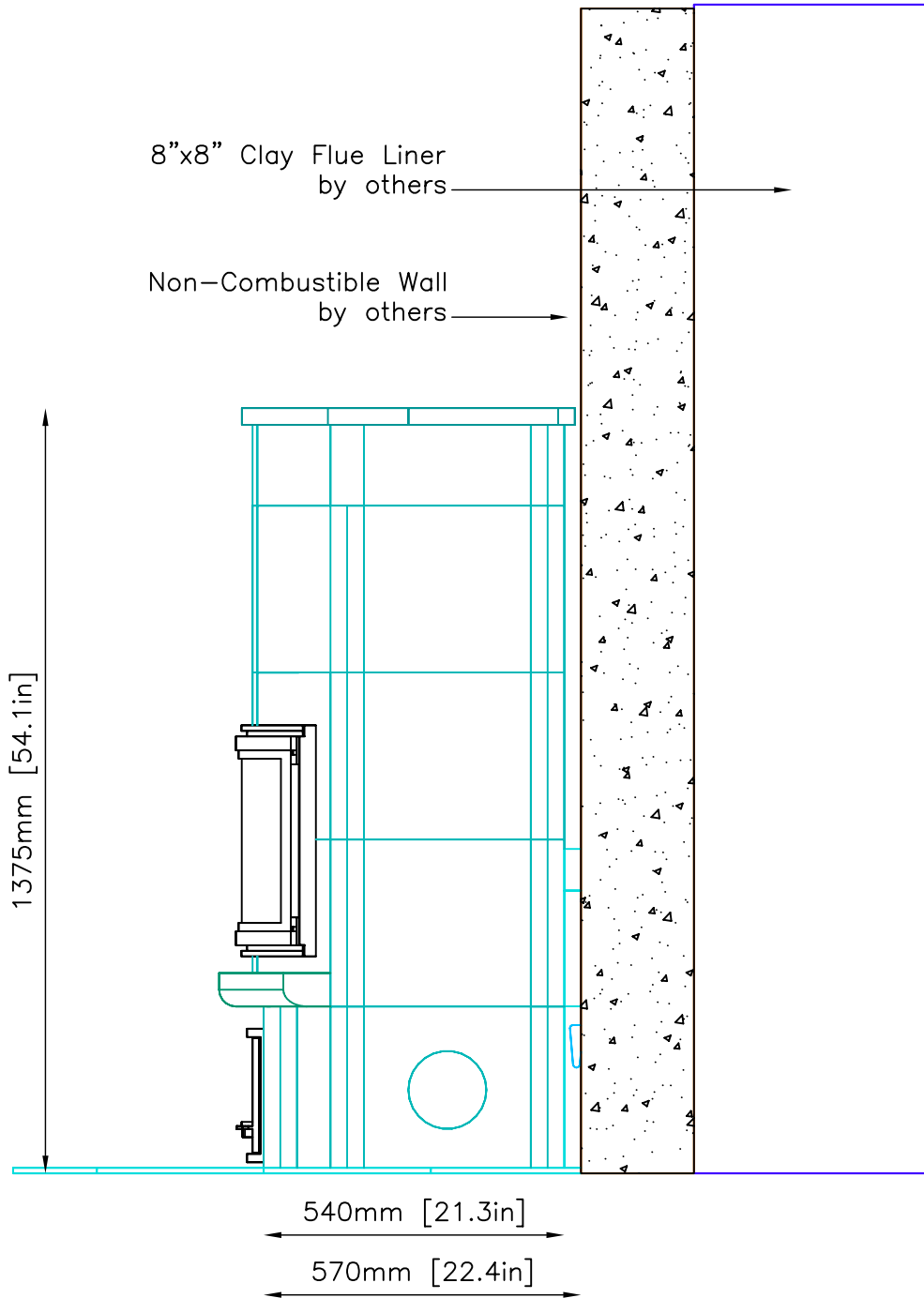
VIEW FRONT
DATE 12/20/05

PAGE

2

SIDE VIEW

INFORMATION ONLY



REQUIRED:

Tulikivi's UL Listing requires minimum non-combustible hearth extension of 16" in front of the firebox door and 8" beyond either side of the firebox door.

Shown: Tulikivi Soapstone Tile. CUT AND INSTALLED by others

NOTE:

Tulikivi's UL Listing requires no combustibles within 14 inches from the SIDES of the Fireplace; 20 inches from the BACK of the Fireplace and 10 inches from the TOP of the Fireplace.



CHIMNEY WORKS MASONRY
1695 Log Run Road
Williamsport, PA 17701
(570)971-9330 Fax (570)494-1869

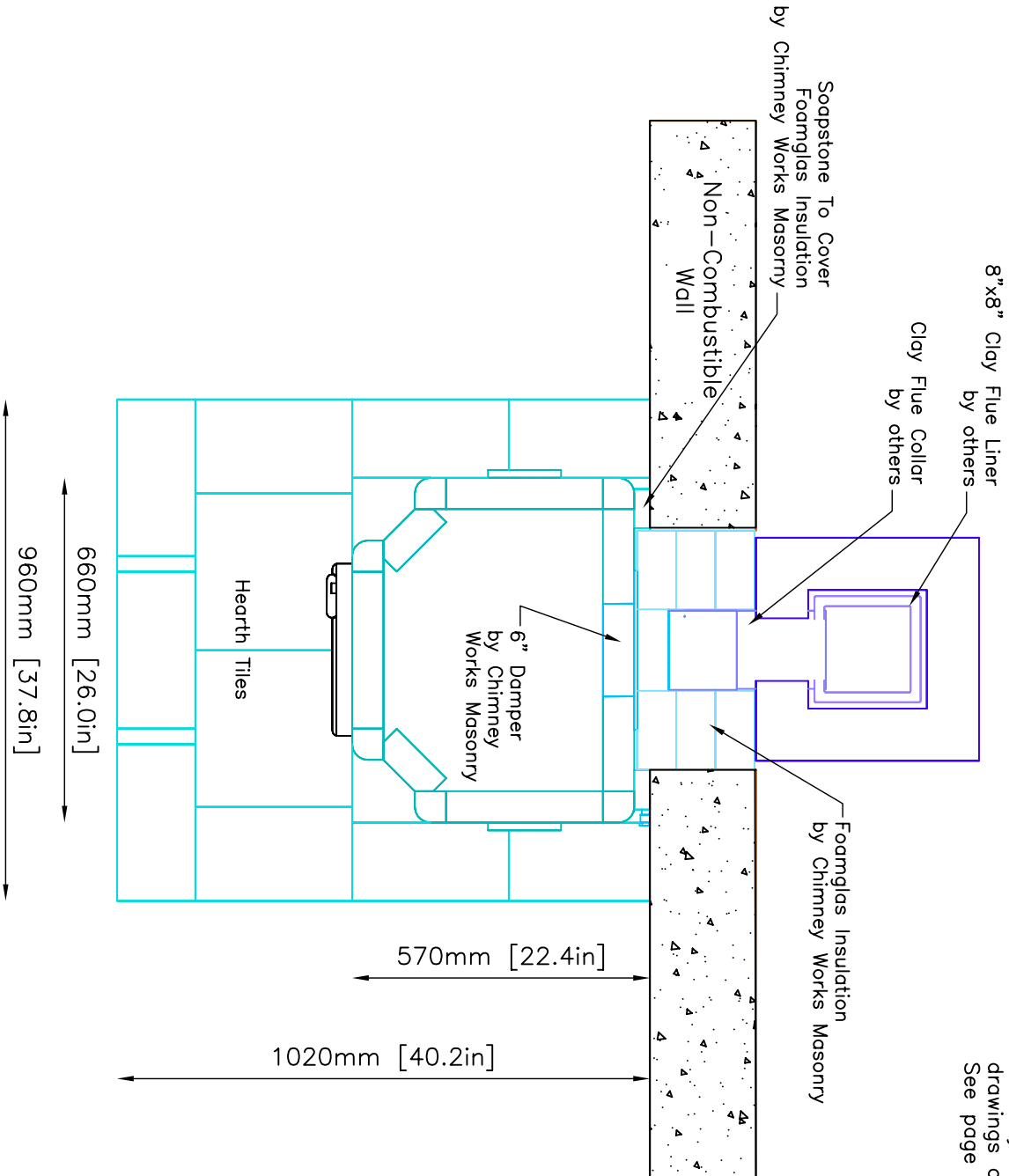
PROJECT KOLB
MODEL TU930

CONTRACT
DRAWN BY D.P.BYRAM

VIEW SIDE
DATE 12/20/05

PAGE 3

INFORMATION ONLY



Flue Location may be offset up to 4 inches right or left. If greater offset is needed, contact Chimney Works Masonry for revised drawings and installation pricing. See page 7 for Details.

REQUIRED:

Tulikivi's UL Listing requires minimum non-combustible hearth extension of 16" in front of the firebox door and 8" beyond either side of the firebox door.
Shown: Tulikivi Soapstone Tile. CUT AND INSTALLED by others

NOTE:

Tulikivi's UL Listing requires no combustibles within 14 inches from the SIDES of the Fireplace; 20 inches from the BACK of the Fireplace and 10 inches from the TOP of the Fireplace.



CHIMNEY WORKS MASONRY
1695 Log Run Road
Williamsport, PA 17701
(570)971-9330 Fax (570)494-1869

PROJECT KOLB
MODEL TU930

CONTRACT
DRAWN BY D.P.BYRAM

VIEW PLAN
DATE 12/20/05

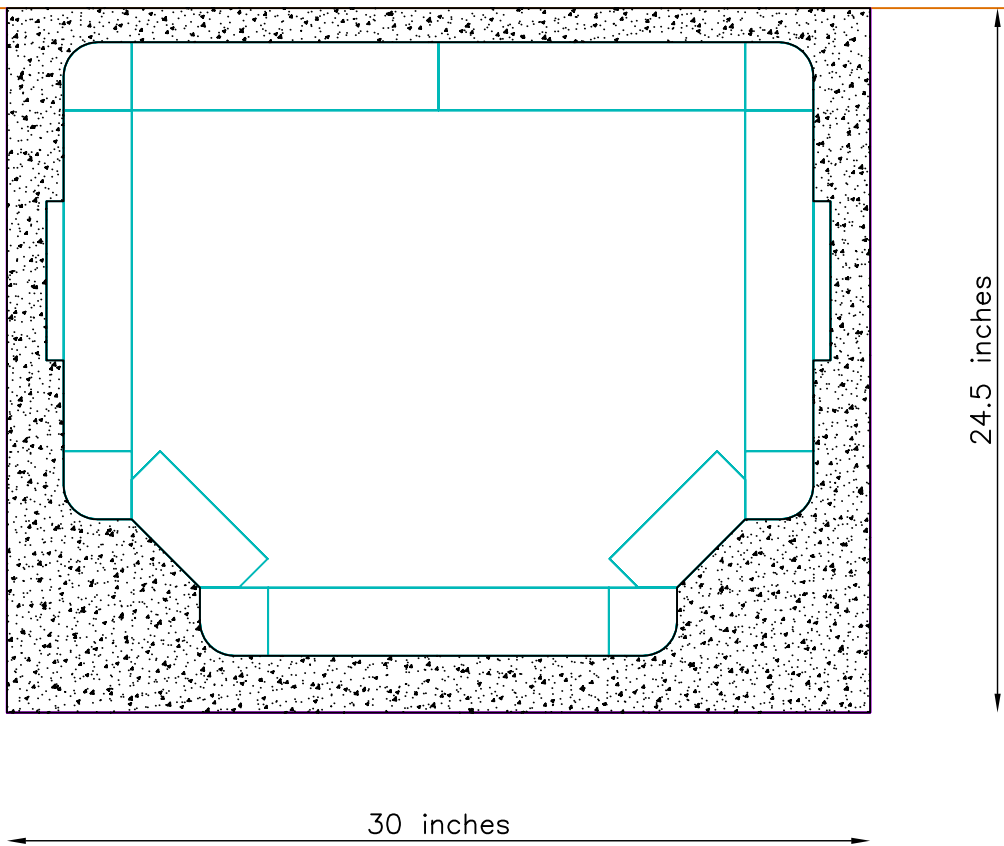
PAGE 4

FOUNDATION SLAB—BY OTHERS

Minimum 4 inch thick poured concrete with rebar 6 inches O.C.
 Minimum Dimensions: 2 inches more than footprint of the fireplace.

NOTE: USE NON-COMBUSTIBLE CEMENT BOARD UNDER FOUNDATION SLAB(NOT PLYWOOD)

INFORMATION ONLY



NOTE:
 TOP OF FOUNDATION SLAB TO BE LEVEL AND FLUSH WITH SUB-FLOOR
 Tolerances: +/- 1/8" No addition cost to level slab
 +/- 1/4" \$150.00-\$200.00 additional cost to level slab
 +/- 1/2" \$500.00 additional cost to level slab

UNIT WEIGHT: 2200lbs.
 Owner/Contractor is responsible for engineering Foundation Slab to support weight of fireplace.

	CHIMNEY WORKS MASONRY 1695 Log Run Road Williamsport, PA 17701 (570)971-9330 Fax (570)494-1869	PROJECT	CONTRACT	VIEW	PAGE
		KOLB		SUPPORT	
		MODEL	DRAWN BY	DATE	
		TU930	D.P.BYRAM	12/20/05	5