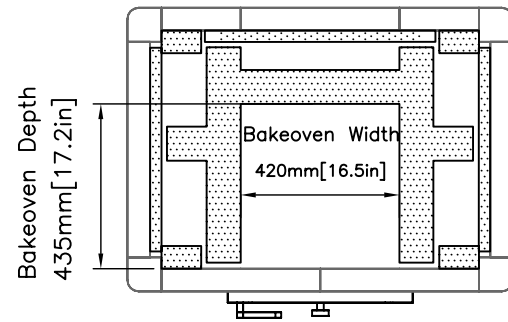
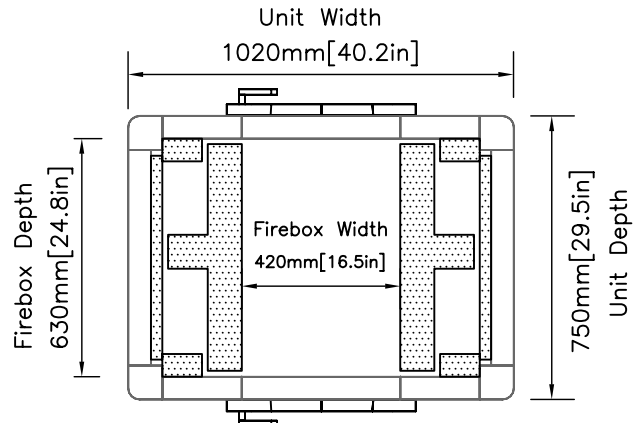
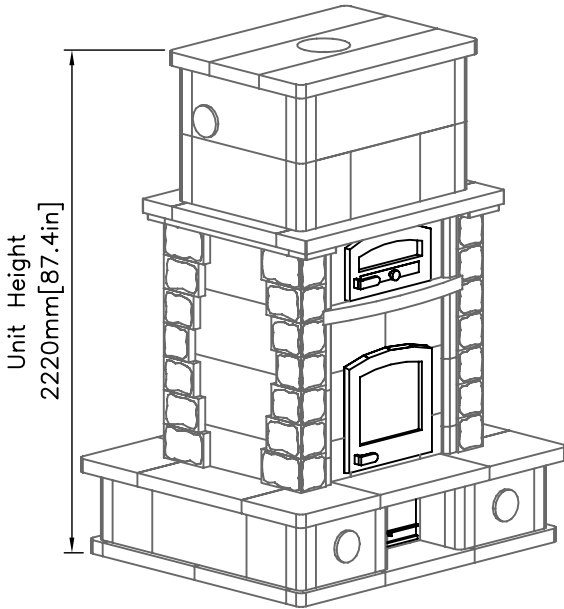


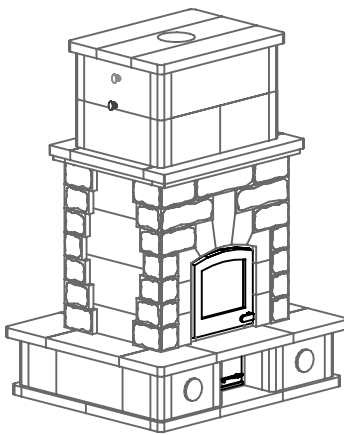
# TTU2700/5 Tulikivi Fireplace:

For prices call 888-544-5442 or email [info@VirginiaRadiant.com](mailto:info@VirginiaRadiant.com)

Custom Design Package: MMH-01 (4 Sided Heated Bench, Large Rough Stone Accents with Serpentine Arch and Trim, 90mm[3.5in] Layered Mantel, 60mm[2.3in] Top Plate)



Back View



**Model:** TTU2700/5      **Door Type:** Standard-02      **Firebox Type:** Soapstone      **Weight:** 10,350 lbs

**Flue Location:** Top Vent      **Flue Size:** 8in round

Recommended minimum chimney height, 18 feet from base of fireplace to the top of the chimney.

**Heating Impact Area** 1550 sq/ft

Heating impact area listed above is for a northern climate. Heating impact area in a southern climate may increase between 50 to 100 percent. Larger thermal mass masonry heaters usually do not overheat smaller spaces. Rather, functioning like a large heat storage battery, they deliver constant radiant heat (plus/minus 5 degrees) over a longer period of time.

**UL Listed Clearances to Combustibles:**

*From Back:* 20 inches      *From Sides:* 14 inches      *From Top:* 10 inches

3 inch clearance from back and sides possible with Tulikivi UL Approved Heat Shield. Contact your Tulikivi dealer for site specific heat shield applications.

**Minimum Non-Combustible Hearth Extension**

16 inches in front of firebox door, 8 inches on both sides of firebox door and 2 inches around the base of the unit.

The hearth extension may use matching soapstone tile or any other non-combustible material. The price above does not include a hearth extension.

Typical extension is 450mm [17.7in] in front of unit and 150mm [5.9in] on the sides.

**Support:**

Typical support on a non-combustible masonry foundation extending minimum 2 inches beyond the base dimensions of the unit. Support on a combustible surface is possible with Tulikivi UL approved floor protection. Contact your Tulikivi dealer for site specific floor protection applications.



MID-ATLANTIC MASONRY HEAT  
Tulikivi Distributor  
Price and Specification Sheet

PROJECT Custom Design—Pennwood	VIEW Perspective	PAGE 1
MODEL TTU2700/5	DRAWN BY D.P.BYRAM	DATE 7/22/06