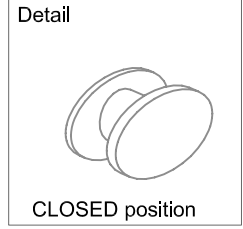
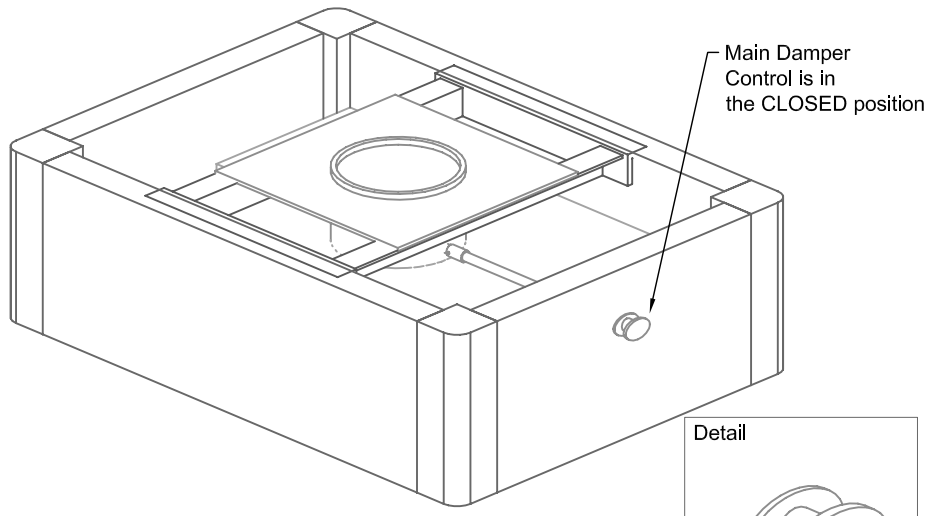
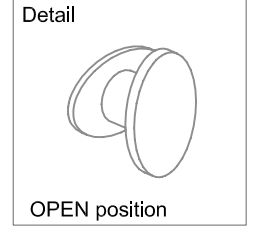
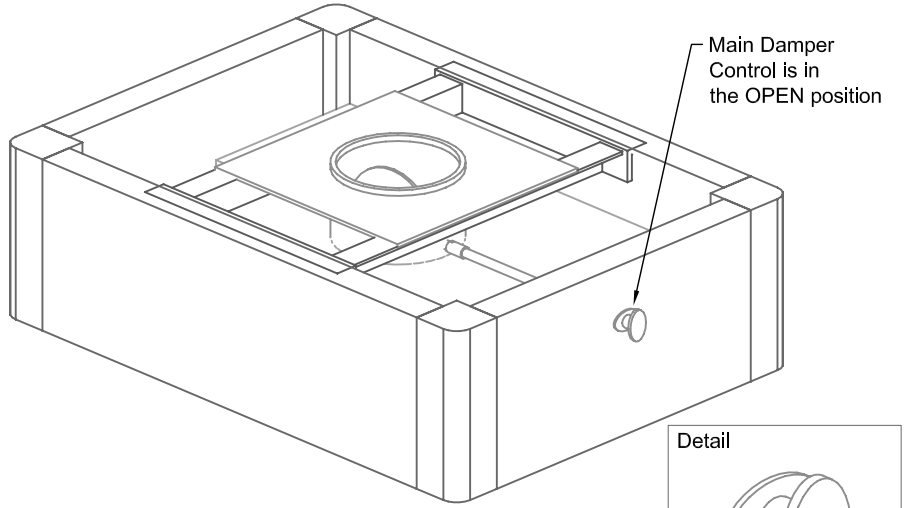


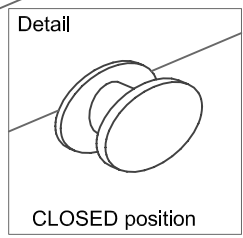
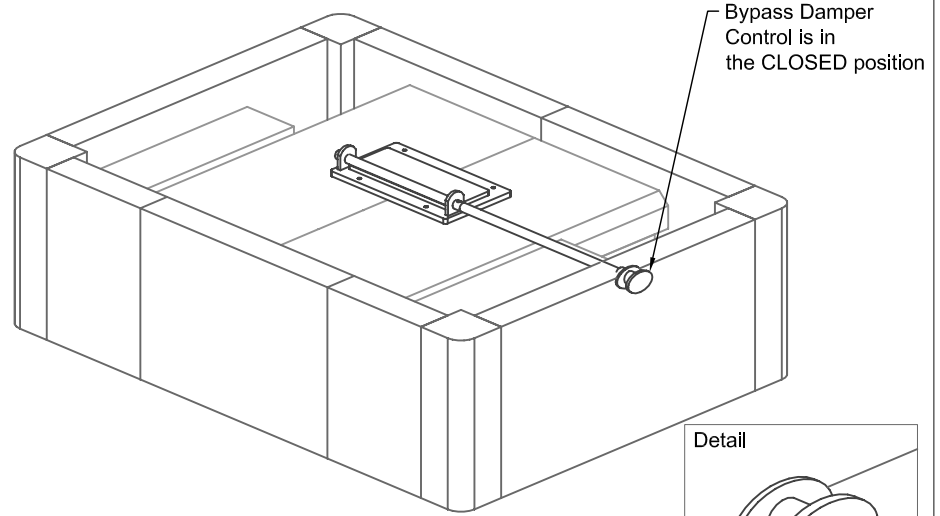
### Main Damper Control-CLOSED



### Main Damper Control-Open



### Bypass Damper Control-CLOSED



### Bypass Damper Control-Open

