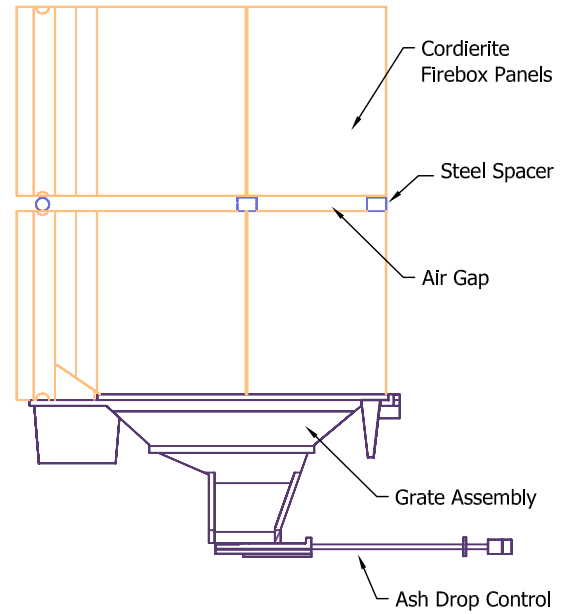
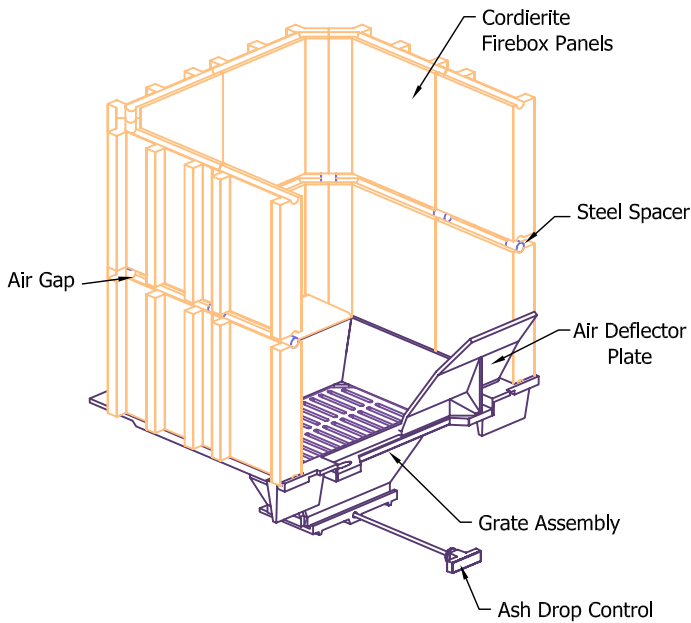
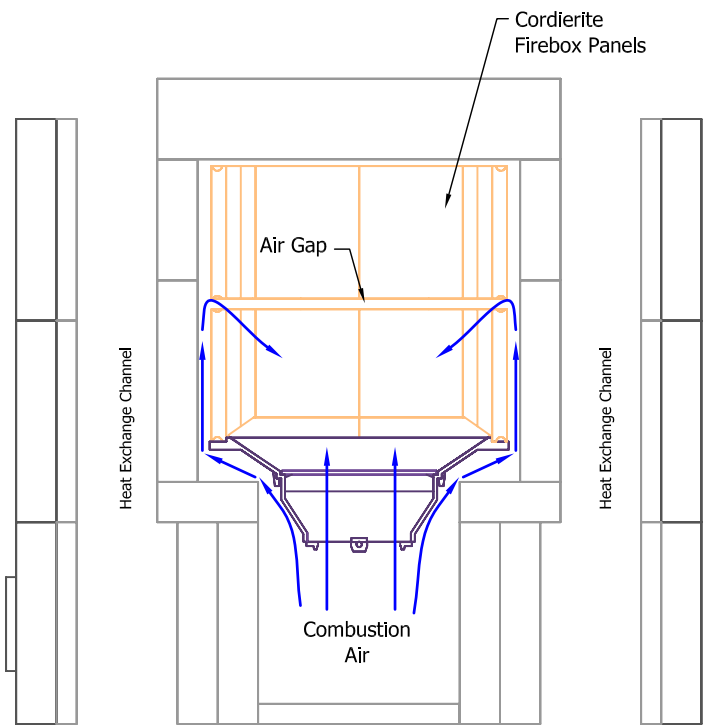


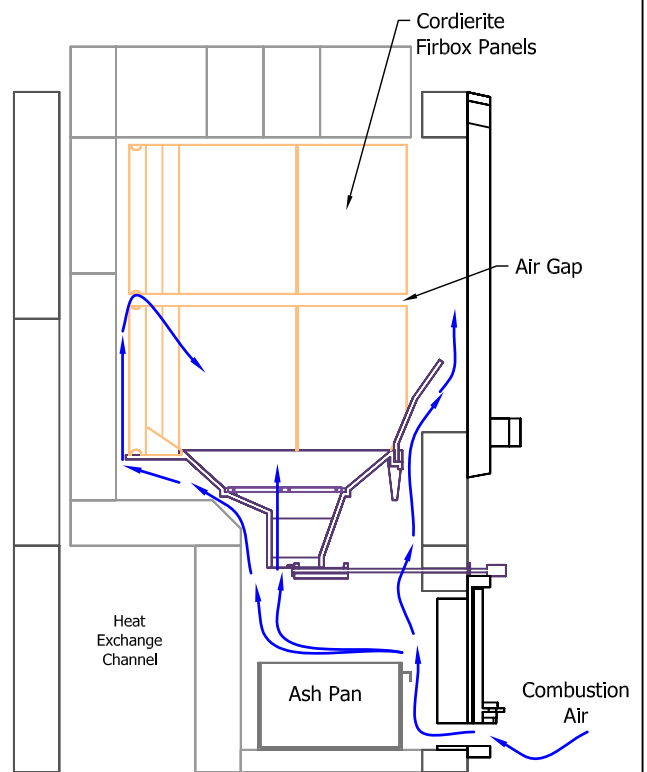
New 2009 Firebox Design



Combustion Air Flow Detail



Front Section



Side Section